

User's Guide

Publication number E3454-97006
February 2002

© Copyright Agilent Technologies, Inc. 1994-2002
All Rights Reserved

For Safety information, Warranties, and Regulatory information,
see the pages behind the index.



Agilent Technologies

Emulation for the PowerPC 400/600/700

Agilent Technologies E5900B Option 060/070 Emulation Probe—At a Glance

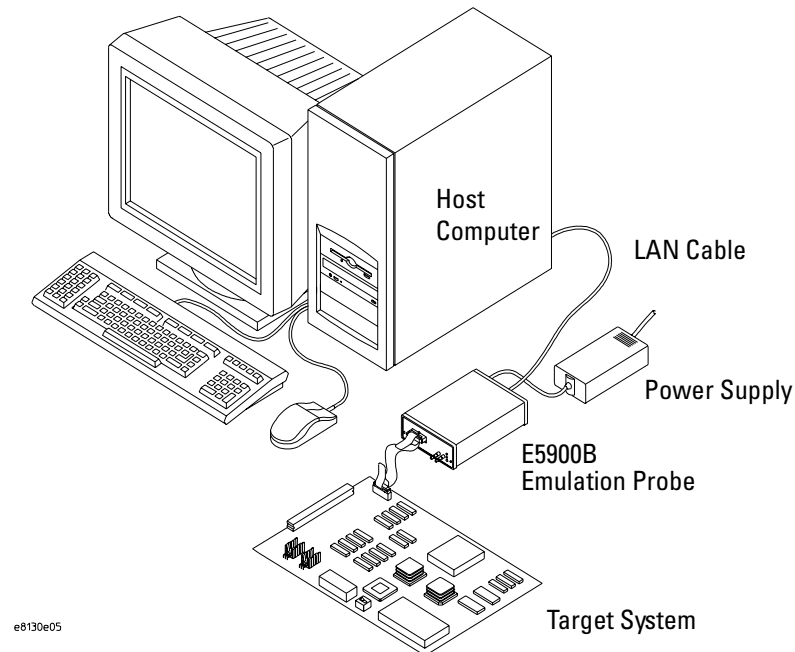
This manual describes how to set up:

- an emulation probe
- an emulation module
- an emulation migration

The emulation probe provides a low-cost way to debug embedded software for PowerPC 400/600/700 family microprocessors. The emulation probe lets you use the target processor's built-in debugging features, including: run control, register access, and memory access. A high-level source debugger can use the emulation probe to debug code running on the target system.

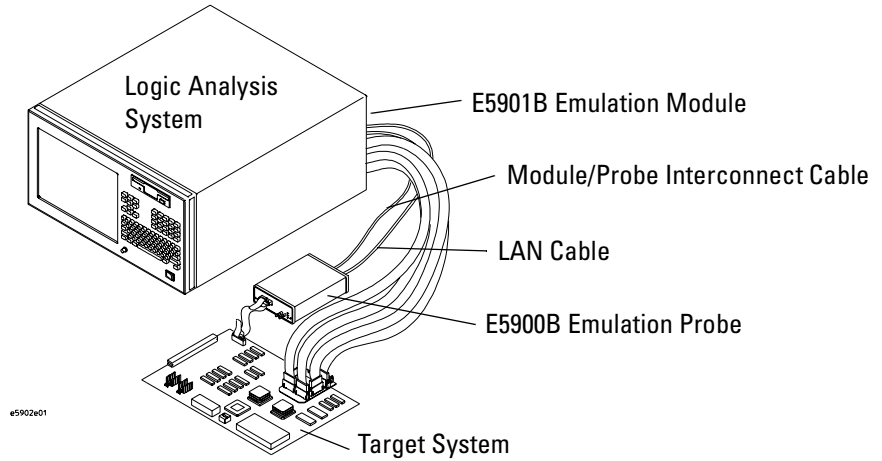
The emulation probe can be controlled by a debugger on a host computer or by the Emulation Control Interface on an Agilent 16700-series logic analysis system. The emulation probe communicates with a host computer or logic analysis system via LAN.

E5900B Emulation Probe



E5901B Emulation Module Kit

The Agilent E5901B emulation module kit includes the E5900B emulation probe, the E5901B emulation module, and other items listed on page 22. The Agilent E5901B emulation module plugs into your Agilent 16700-series logic analysis system frame. It provides power, cross triggering, and limited communication for the E5900B emulation probe through the module/probe interconnect cable. The logic analysis system communicates with the target system through the LAN connection to the E5900B emulation probe.



E5902B Emulation Migration Kit

The emulation migration includes the parts needed to use an emulation probe for a new processor family.

Emulation Solution

If you have an E9xxxB emulation solution, refer to the appropriate *Logic Analysis Support User's Guide* (or *Solutions User's Guide*) for information on how to connect the analysis probe, then return to this book for information on connecting the emulation probe.

In This Book

Emulation Probe

Processor supported	Product ordered	Includes
PPC401 (all), PPC403 (all), PPC405 (all), NPe405H, NPe405L, PPC440A4, PPC440GP.	E5900B Option #060	E5900B #060 emulation probe, cables, software, and manual.
PPC603e rev. 1, 3, 4, 5; MPC603e; PPC603ev rev. 2, 12; PPC603e2; MPC603P; MPC603ec; MPE603R; MPC603ei.	E5900B Option #060	E5900B #060 emulation probe, cables, software, and manual.
PPC740/50, MPC740/50, PPC750M, MPC740P/50P, MPC745/55, PPC750CX, PPC750CXe.	E5900B Option #070	E5900B #070 emulation probe, cables, software, and manual.

Emulation Module Kit

Processor supported	Product ordered	Includes
PPC400-series (Versions listed above.)	E5901B Option #060	E5901B emulation module, E5900B #060 emulation probe, cables, software, and manual.
PPC600-series (Versions listed above.)	E5901B Option #060	
PPC700-series (Versions listed above.)	E5901B Option #070	

Emulation Migration Kit

Processor supported	Product ordered	Includes
PPC400-series (Versions listed above.)	E5902B Option #060	Target board adapter, front panel, tool kit, cables, software, and manual.
PPC600-series (Versions listed above.)	E5902B Option #060	
PPC700-series (Versions listed above.)	E5902B Option #070	

Emulation Solution

Processor supported	Product ordered	Includes
PPC603e rev. 1, 3, 4, 5; MPC603e; PPC603ev rev. 2, 12; MPC603ei.	E9487B Option #001	E5901B emulation module, E5900B #060 or E5900B #070 emulation probe, cables, software, and manual, plus analysis software as described in the <i>Logic Analysis Support User's Guide</i> .
PPC603e rev. 1, 3, 4, 5; MPC603e; PPC603ev rev. 2, 12.	E9487B Option #002	Everything in the E9487B Option #001 and the 240-pin PQFP analysis probe.
PPC740/50, MPC740/50, PPC750M, MPC740P/50P, MPC745/55, PPC750CX, PPC750CXe.	E9486B Option #001	E5901B emulation module, E5900B #070 emulation probe, cables, software, and manual, plus analysis software as described in the <i>Logic Analysis Support User's Guide</i> .

The E5900B emulation probe has been programmed with firmware at the factory.

The firmware is a driver that lets the emulation probe communicate with a certain family of processors. Consult the chart on page 136 to determine whether the factory-loaded firmware is compatible with your target processor. If not, you will need to update the firmware as described in Chapter 10, "Updating Firmware," beginning on page 135.

In this manual "PowerPC" is used to refer to both the IBM PPC family of PowerPC processors and the Motorola MPC family of PowerPC processors.

Agilent Technologies E5900B Option 060/070 Emulation Probe—
At a Glance 2

In This Book 4

1 Overview 17

Setup Flowchart 19

Agilent E5900B Emulation Probe 20

Equipment supplied 20

Minimum equipment required 20

Agilent E5901B Emulation Module Kit 22

Equipment supplied 22

Minimum equipment required 22

Agilent E5902B Emulation Migration Kit 24

Equipment supplied 24

Minimum equipment required 24



To connect the emulation probe to a power source 26

Connection Sequence 27

To power on the system 27

To power off the system 27

Additional Information Sources 28

2 Designing a Target System for an Emulation Probe 29

- Target System Requirements 30
- PowerPC JTAG interface connections and resistors 34

3 Connecting the Emulation Probe to a LAN 37

- To choose a point-to-point or site LAN connection 38

- Connecting the Emulation Probe to a Site LAN 40
 - To obtain an IP address 41
 - To configure LAN parameters using a serial connection 42
 - To configure LAN parameters using DHCP 45
 - What is DHCP? 46
 - How does the emulation probe use DHCP? 46
 - How does DHCP interact with other methods of setting LAN parameters? 46
 - To configure LAN parameters using a logic analysis system without an emulation module 47
 - To configure LAN parameters using a logic analysis system with an emulation module 48

- Setting up a Point-to-Point Connection 49
 - To set up a point-to-point connection with an emulation module 49
 - To set up a point-to-point connection without an emulation module 50

- Verifying LAN Communications 51
 - To verify LAN communications using ping 51
 - To verify LAN communications using telnet 52

4 Installing the Emulation Module 53

To install the emulation module in an Agilent 16700-series logic analysis system or expansion frame 55

To connect the E5901B emulation module to the E5900B emulation probe 57

5 Installing Software on a 16700-Series Logic Analysis System 59

Installing and loading 60

What needs to be installed 61

To install the software from CD-ROM 62

To list software packages which are installed (16700) 63

6 Connecting the Emulation Probe to Your Target System 65

To connect the emulation probe to the target system 67

7 Configuring the Emulation Probe 69

What can be configured 71

Using the cf Commands 72

Contents

Configuration items	74
Default configuration	74
To configure the processor type	74
To configure the processor version using the procs command (PowerPC 740P and 750P)	75
To configure the JTAG test clock (TCK) speed (communication speed)	76
Configuring the Emulation Probe for Maximum Performance	77
To configure restriction to real-time runs (All processors)	78
To configure reset operation	79
To configure reset vector address (PowerPC 603ei, 745, 755)	81
To configure power on reset operation (PowerPC 745, 755)	81
To set the freeze timers option (PowerPC 400)	82
To enable branch folding (PowerPC 400)	83
To enable or disable address validation (PowerPC 400)	84
To enable fast memory loads (PowerPC 400)	85
To configure the memory model (PowerPC 603ei, 745, 755)	86
To configure the memory read operation (PowerPC 400, 603e, 603ev, 603e2, 603P, 603ec, 603R, 740, 750, 750M, 740P, 750P)	87
To configure data memory write operations (PowerPC 400, 603e, 603ev, 603e2, 603P, 603ec, 603R, 740, 750, 750M, 740P, 750P)	88
To configure instruction memory write operations (PowerPC 400, 603e, 603ev, 603e2, 603P, 603ec, 603R, 740, 750, 750M, 740P, 750P)	89
To set the memory read delay clock cycles (PowerPC 603ei, 745, 755)	91

Contents

To set the memory read delay time (PowerPC 603e, 603ev, 603e2, 603P, 603ec, 603R, 740, 750, 750M, 740P, 750P)	92
To set the memory write delay clock cycles (PowerPC 603ei, 745, 755)	93
To set memory write delay time (PowerPC 603e, 603ev, 603e2, 603P, 603ec, 603R, 740, 750, 750M, 740P, 750P)	94
To configure address translation (PowerPC 603e, 603ei, 603ev, 603e2, 603P, 603ec, 603R, all 7XX)	95
To configure checkstop status (PowerPC 603ei, 745, 755)	96
To configure the Break In SMB port (All processors)	97
To configure the Trigger Out SMB port (All processors)	98
To configure the voltage reference (All processors)	99
To configure the voltage threshold (All processors)	100
To configure 32-bit mode (All processors except PowerPC 4XX)	100
To enable or disable data parity (PowerPC 603e, 603ev, 603e2, 603P, 603ec, 603R, 740, 750, 750M, 740P, 750P)	101
To enable or disable processor caches	102
To enable or disable processor caches	103

8 Using the Emulation Probe 105

Using the Emulation Probe 106

Using the Emulation Probe with a Debugger 107

Contents

Using the emulation probe with a 16700-series logic analysis system via an emulation module 109

Using the emulation probe with a 16700-series logic analysis system via a LAN connection 110

Using the Emulation Probe Command Line Interface 112

Establishing a telnet connection to the emulation probe prior to using the command line interface 112

Using the command line interface from the logic analysis system 113

Exporting the Logic Analysis System's Display 114

To export the logic analysis system's display to a web browser 114

To export the logic analysis system's display to a UNIX workstation 114

To export the logic analysis system's display to a PC 115

9 Testing Target System Memory 117

Two ways to run the memory tests 118

Using the memory tests with an Agilent 16700 logic analysis system 119

Using the memory tests from a command line interface 120

Memory Test Patterns 121

Recommended Test Procedure 122

Basic Pattern test 123

Address Pattern test 126

Rotate Pattern test 128

Walking Ones test 130

Walking Zeros test 131

Oscilloscope Read test 132

Oscilloscope Write test 133

10 Updating Firmware 135

Updating Firmware When Operating With a Debugger 137

To display current firmware version information 137

To update firmware from the web 137

To update firmware from a floppy disk 137

Updating Firmware With a Logic Analysis System 138

To display current firmware version information 138

To update firmware using the Emulation Control Interface 139

To update firmware for an emulation probe using the Setup Assistant 140

11 Installing an Agilent E5902B Emulation Migration Kit 141

Will I need to change the target board adapter? 142

To install the emulation migration 143

12 Troubleshooting the Emulation Probe 147

Troubleshooting Guide 149

Step 1: Telnet to the emulation probe 149

If you cannot connect to the emulation probe 149

Step 2: Check the prompt 149

If a telnet connection to the emulation probe displays the prompt "->" 149

If a telnet connection to the emulation probe displays the prompt "?>" 150

Step 3: Try some simple commands to control the target 151

If the emulation probe has problems controlling the target 151

Contents

Step 4: Check the emulation module	152
If you have problems using the emulation probe as an emulation module in a 16700-series logic analysis system	152
Step 5: Check your debugger connection	153
If you have problems using the emulation probe with a debugger	153
Status Lights	155
Emulation Probe Target Status Lights	155
Emulation Probe LAN Status Lights	156
Emulation Probe Power On Light	156
To list the emulation probe commands	157
To use the built-in commands	157
Examples of built-in commands	158
Problems with the Target System	163
What to check first	163
To check the debug port connector signals	164
To interpret the initial prompt	165
If the response is "!ERROR 905! Driver firmware is incompatible with ID of attached device"	165
If the initial prompt is "p>"	165
If the initial prompt is "M>"	165
If the initial prompt is "c>"	165
If the initial prompt is "?>" with "ERROR 171!"	166
If the initial prompt is "U>"	166
If the prompt after rst is "?>" with "ERROR 171!"	166
If the rst command fails	166
If the prompt after rst is "U>"	167
If the prompt after b is "M>" with error messages	167
If the prompt after b is "M>" with no error messages	167
If you can get to the "M>" prompt	167
If you see memory-related problems	169

Contents

Problems with the LAN Interface	171
If you cannot verify LAN communication	171
If you have LAN connection problems	172
If it takes a long time to connect to the network	172
If you have problems setting the LAN parameters using a logic analysis system	172
Problems with the Serial Interface	174
If you cannot verify RS-232 communication	174
If you have RS-232 connection problems with the MS Windows HyperTerminal program	174
Problems with the Emulation Module	176
To test the emulation module	176
Problems with the Emulation Probe	177
To run the emulation probe performance verification (PV) tests	177
To run the performance verification tests using the logic analysis system	177
To run complete performance verification tests using a serial or telnet connection	178
If a performance verification test fails	179
If there are random problems	180
Returning Parts for Service	182
To return a part to Agilent Technologies	182
To obtain replacement parts	183
If you need to obtain help	184
To clean the instrument	184

13 Specifications and Characteristics 185

Operating characteristics 186

Input/Output Electrical Characteristics 187

Trigger Out SMB Port 187

Break In SMB Port 187

Communication Ports 187

Power Supply 187

E5900B Emulation Probe Characteristics 188

Output Model 189

Environmental Characteristics 190

Emulation module environmental characteristics 190

Glossary 191

Index 197



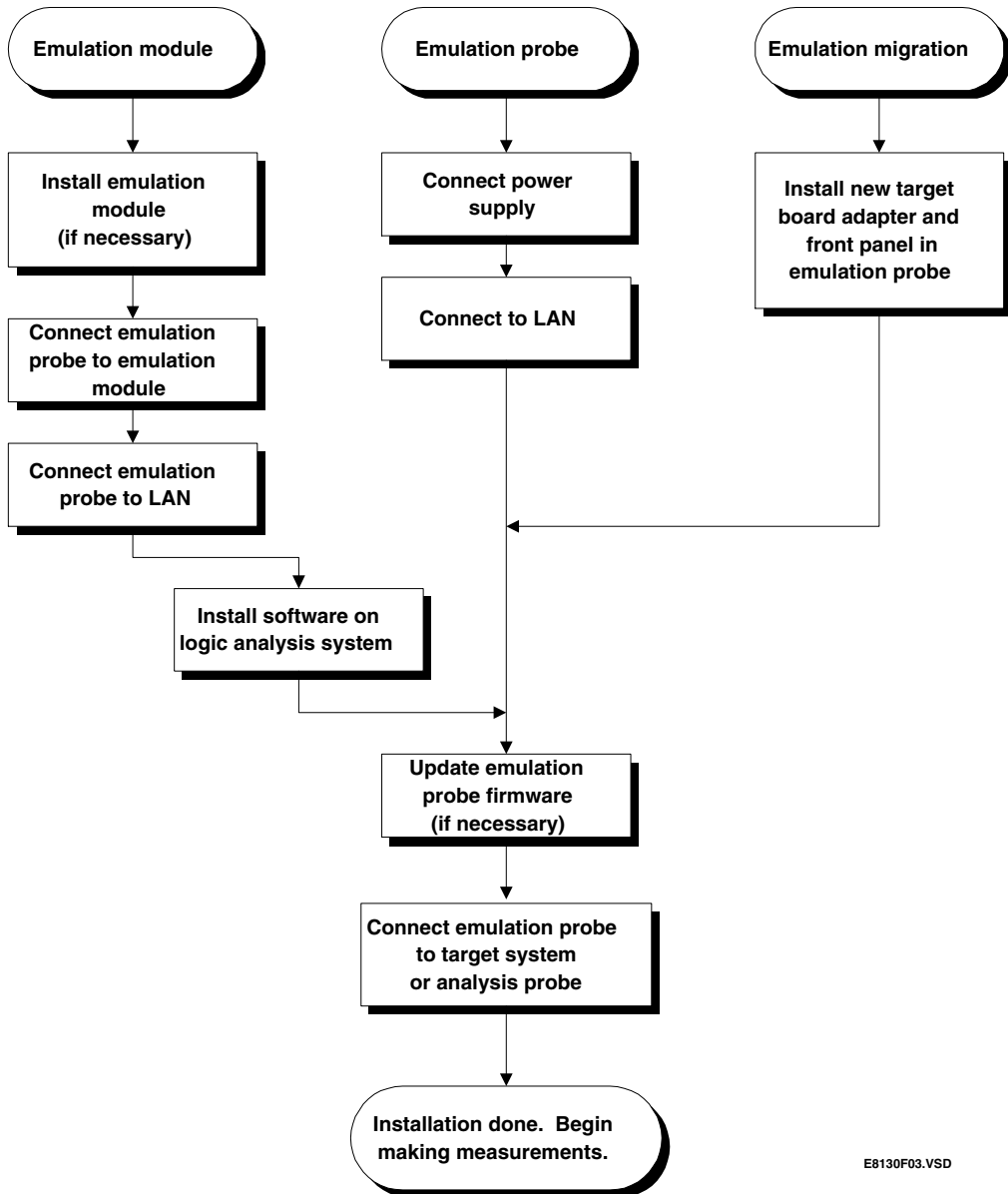
Overview

Chapter 1: Overview

This chapter describes:

- Setup flowchart
- Equipment used with the emulation probe
- Equipment used with the emulation module
- Equipment used with the emulation migration
- Connection sequences for the emulation probe
- Additional information sources

Setup Flowchart



E8130F03.VSD

Agilent E5900B Emulation Probe

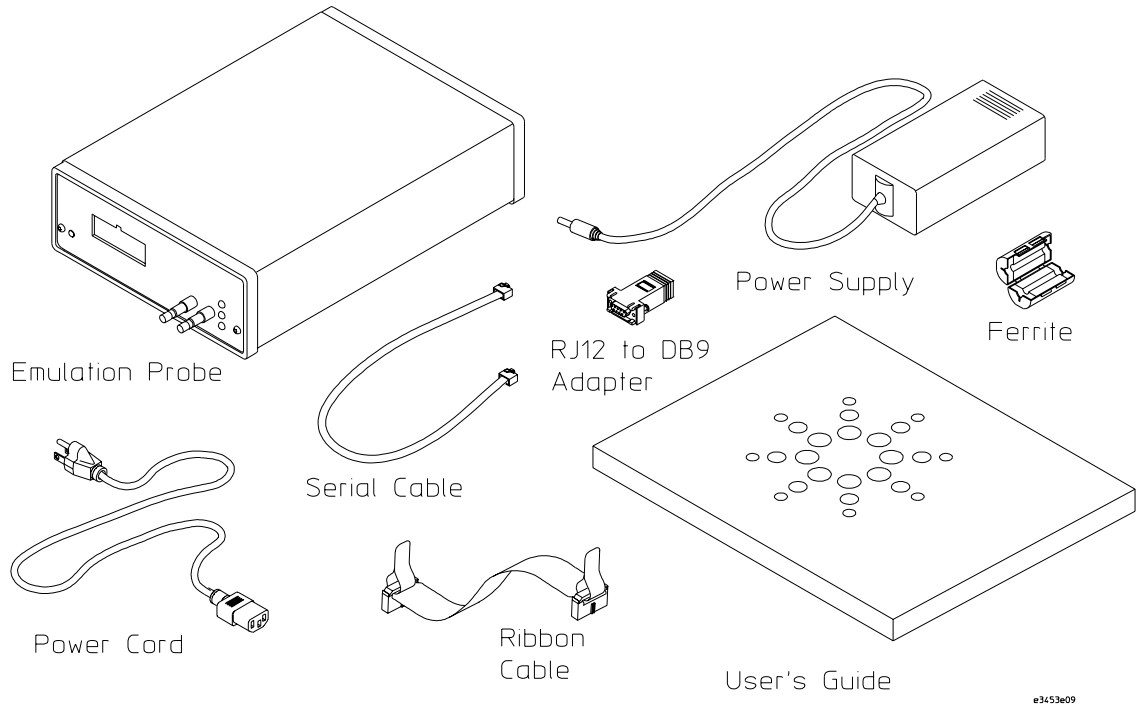
Equipment supplied

Part Number	Description
E3452B or E3454B	Emulation probe (E5900B Option 060 or Option 070).
0950-3043	12V power supply for the emulation probe.
xxxx-xxxx	Power cord. Part number depends on country of use.
E8130-68703	Ferrite. Reduces electromagnetic interference on power cord.
E8130-68702	Cable kit consisting of a serial cable and RJ12-to-DB9 adapter, for setting the emulation probe's IP address from a PC.
E3494-61604	16-pin JTAG ribbon cable. Connects the emulation probe to the target debug port.
E3454-97006	This <i>User's Guide</i> .

Minimum equipment required

The following equipment is required to use the emulation probe:

- A method for connecting the emulation probe to the target system. The target system must have an appropriate JTAG (Joint Test Action Group) debug port connector. The target system must meet the criteria described in Chapter 2, "Designing a Target System for an Emulation Probe," beginning on page 25.
- A host computer, such as a PC or workstation. You can also connect the emulation probe to an Agilent 16700-series logic analysis system.
- A LAN (local area network) if you want to connect the emulation probe to a host computer.
- A user interface on the host computer, such as a high-level source debugger or the logic analysis system's Emulation Control Interface.



e3c53e09

Agilent E5901B Emulation Module Kit

Equipment supplied

The Agilent E5901B emulation module facilitates communication between the Agilent 16700-series logic analysis system and the Agilent E5900B emulation probe. If you ordered an emulation module as part of your Agilent 16700-series logic analysis system, it is already installed in the frame.

The equipment supplied with your emulation module includes:

- All of the parts listed for the Agilent E5900B emulation probe on page 16 (except the serial cable and RJ12-to-DB9 adapter), and:

Part Number	Description
E5901B	Agilent E5901B emulation module.
5061-7342	LAN crossover cable (for point-to-point LAN connection only).
B3760A	Emulation probe firmware, and logic analyzer software on a CD-ROM.
E8130-61601	14-pin probe-to-emulation module interconnect cable. This is shipped attached to the emulation module. It connects the emulation module to the emulation probe.
E5901-68701	Module installation kit consisting of the emulation module-to-logic analyzer expansion cable and Torx T-10 and T-15 screwdrivers. NOTE: This kit is included only when the module is ordered without a logic analysis system. If a module is ordered with a logic analysis system, the module will be installed at the factory and the installation kit will not be included.

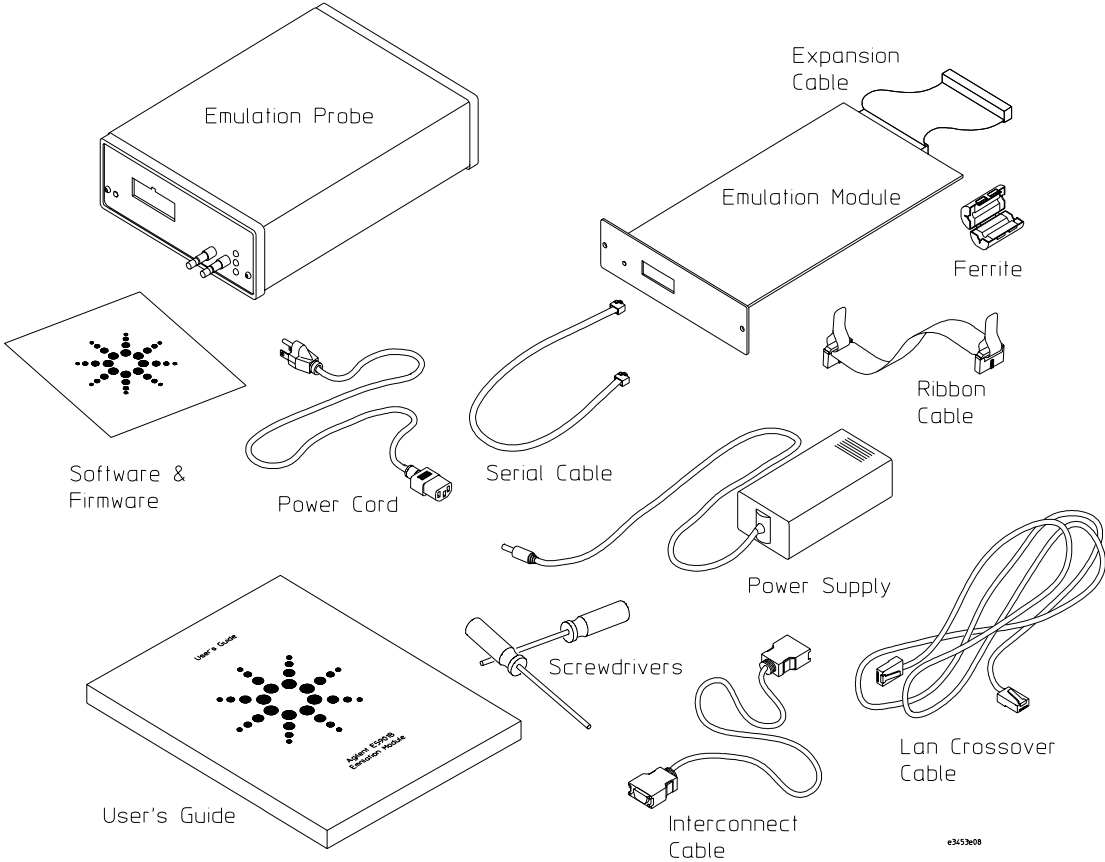
Minimum equipment required

The following equipment is required to use the emulation module:

- A method for connecting the emulation probe to the target system. The target system must have an appropriate JTAG debug port connector as described in Chapter 2, “Designing a Target System for an Emulation

Probe,” beginning on page 25.

- An Agilent 16700-series logic analysis system.
- A user interface, such as a high-level source debugger or the logic analysis system’s Emulation Control Interface.



Agilent E5902B Emulation Migration Kit

Equipment supplied

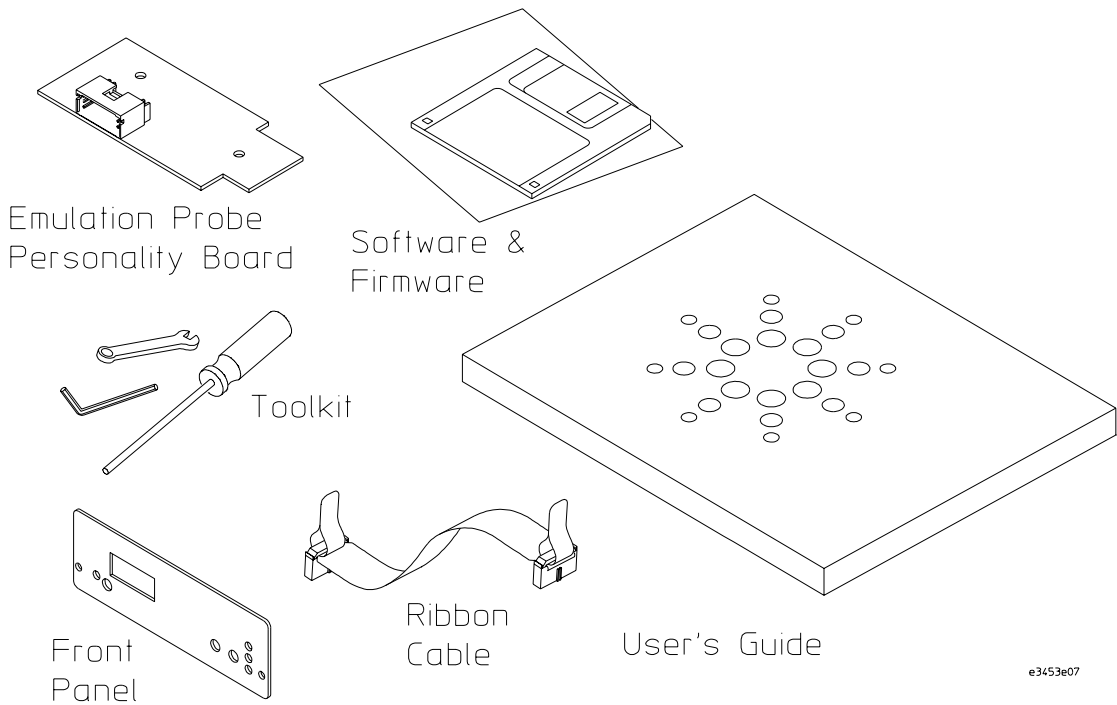
The equipment supplied with your emulation migration includes:

Part Number	Description
E8130-66503	Target board adapter (formerly called cable board). This board customizes the emulation probe for a particular target type. It is called "6XX cable board" on the contents list.
E8130-00201	Front panel for the emulation probe.
E8130-68701	Tool kit: 1/4 inch wrench, Torx T-10 screwdriver, and a #1 Phillips screwdriver.
E3494-61604	16-pin JTAG ribbon cable. This connects the emulation probe to the target debug port.
B3760A	Emulation probe firmware, and logic analyzer software on a CD-ROM.
E34xx-xxxxx	Firmware for the emulation probe on a 3.5-inch disk, for use if you do not have an Agilent logic analysis system.
E3454-97006	This <i>User's Guide</i> .

Minimum equipment required

The following equipment is required to use the emulation migration:

- An Agilent E5900B emulation probe.
- A method for connecting the emulation probe to the target system. The target system must have an appropriate JTAG debug port connector. The target system must meet the criteria described in Chapter 2, "Designing a Target System for an Emulation Probe," beginning on page 25.
- A host computer such as a PC, a workstation, or an Agilent 16700-series logic analysis system.
- A user interface, such as a high-level source debugger or the logic analysis system's Emulation Control Interface.



e3453e07

To connect the emulation probe to a power source

The emulation probe is shipped from the factory with a power supply and cord appropriate for your country. If the cord you received is not appropriate for your electrical power outlet type, contact your Agilent Technologies sales and service office.

WARNING:

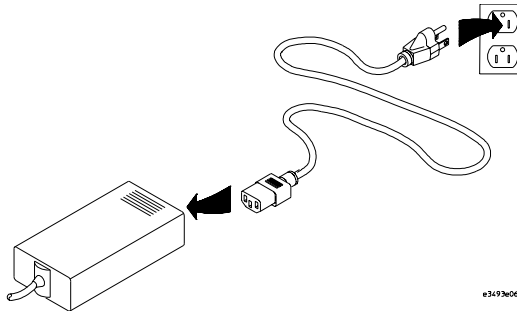


Use only the supplied Agilent F1044B power supply and cord. Failure to use the proper power supply could result in electric shock.

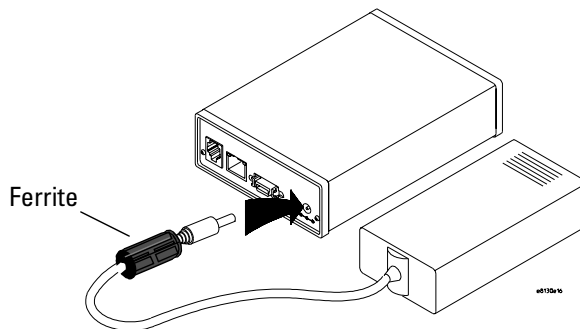
CAUTION:

Use only the supplied Agilent power supply and cord. Failure to use the proper power supply could result in equipment damage.

- 1 Install the ferrite on the 12V power cord, near the end which plugs into the emulation probe.
- 2 Connect the power cord to the power supply and to a socket outlet.



- 3 Connect the 12V power cord to the back of the emulation probe.



- 4 Turn on the emulation probe power switch.

Connection Sequence

Disconnect power from the target system, emulation probe, and logic analyzer before you make or break connections.

- 1 Connect the emulation probe to a LAN (page 37).
- 2 Connect the emulation probe to your target system (page 59).
- 3 Configure the emulation probe (page 69).

To power on the system

With all components connected, power on your system as follows:

- 1 Logic analyzer, if you are using one.
- 2 Emulation probe.
- 3 Your target system.

To power off the system

Power off your system as follows:

- 1 Your target system.
- 2 Emulation probe.
- 3 Logic analyzer, if you are using one.

Additional Information Sources

Additional or updated information can be found in the following places:

Newer editions of this manual may be available. Contact your local Agilent Technologies representative.

If you ordered an emulation solution, the manual supplied with your inverse assembler will provide additional information.

If you have an analysis probe, the instructions for connecting the probe to your target microprocessor are in the analysis probe documentation. The documentation supplied with the analysis probe provides information about using the analysis probe and emulation probe together.

Application notes may be available from your local Agilent representative or on the World Wide Web at:

<http://www.agilent.com/find/emulator>

If you have an Agilent 16700-series logic analysis system, the **online help** for the Emulation Control Interface has additional information on using the emulation probe.

The **measurement examples** include valuable tips for making emulation and analysis measurements. You can find the measurement examples under the system help in your Agilent 16700-series logic analysis system.

The latest firmware versions and additional utilities can be found on the World Wide Web at **<http://www.cos.agilent.com/probe>**.

Designing a Target System for an
Emulation Probe

This chapter will help you design a target system that will work with the emulation probe.

Target System Requirements

$\overline{\text{QACK}}$ signal (PowerPC 603, 603e, 7XX)

Important

If the target development board does not use the $\overline{\text{QACK}}$ signal, the board must have a pull down resistor to pull this signal low. This allows the PowerPC to enter the debug state. Recommended value: 1 k Ω or less.

If the target system uses reduced pinout mode, $\overline{\text{QACK}}$ must be high during $\overline{\text{HRESET}}$, but must be low to enter debug mode. If neither $\overline{\text{QACK}}$ or $\overline{\text{QREQ}}$ are being used, these two pins can be tied together and pulled high with a 1 k Ω pullup. If $\overline{\text{QACK}}$ or $\overline{\text{QREQ}}$ are used by the target system, logic must be supplied to make $\overline{\text{QACK}}$ low after $\overline{\text{QREQ}}$ is asserted so that the PowerPC can enter debug mode.

TDO, TDI, TCK, TMS and $\overline{\text{TRST}}$ signals

TDO, TDI, TCK, TMS and $\overline{\text{TRST}}$ signal traces between the JTAG debug port connector and the processor must be less than 3 inches long. If these signals are connected to other nodes, the other nodes must be daisy chained between the JTAG connector at one end and the PowerPC microprocessor at the other end. These signals are sensitive to crosstalk and must not be routed along active signals such as clock lines on the target board.

The TDI, TCK, TMS and $\overline{\text{TRST}}$ signals must not be actively driven by the target system when the JTAG debug port is being used.

Reset Vector Address

After a system reset, the processor can be directed to boot from one of two locations. This allows the developer flexibility in booting from either ROM or RAM.

You can choose the start location after a reset by using the reset operation configuration command (see page 79) and the reset vector configuration command (see page 81). The location can be fff00100 (the traditional location of ROM) or 00000100 (a RAM reset location). The use of a RAM location allows you to rapidly re-compile, load, and then test your boot-up sequence without having to re-flash ROM.

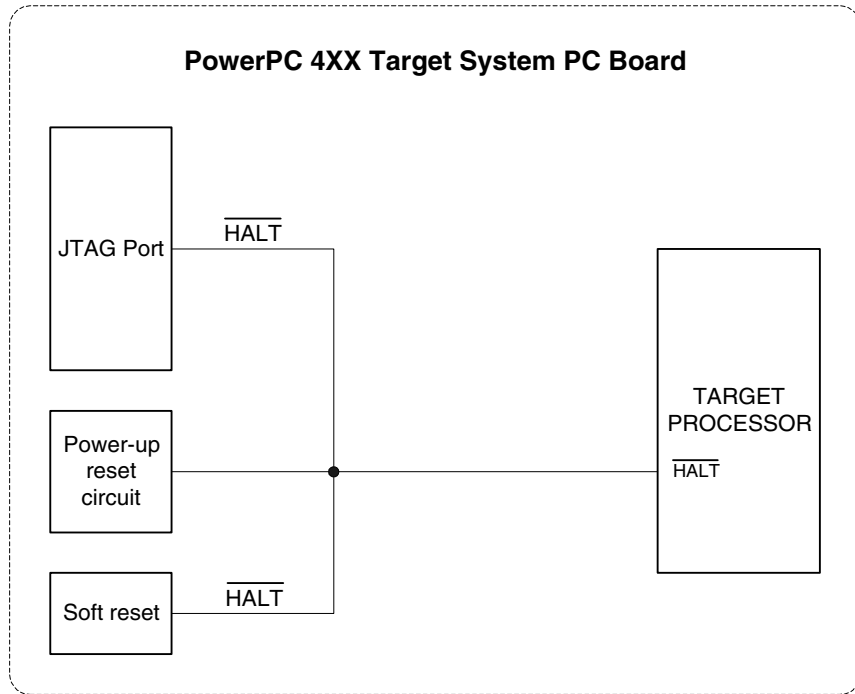
Halt and Reset signals

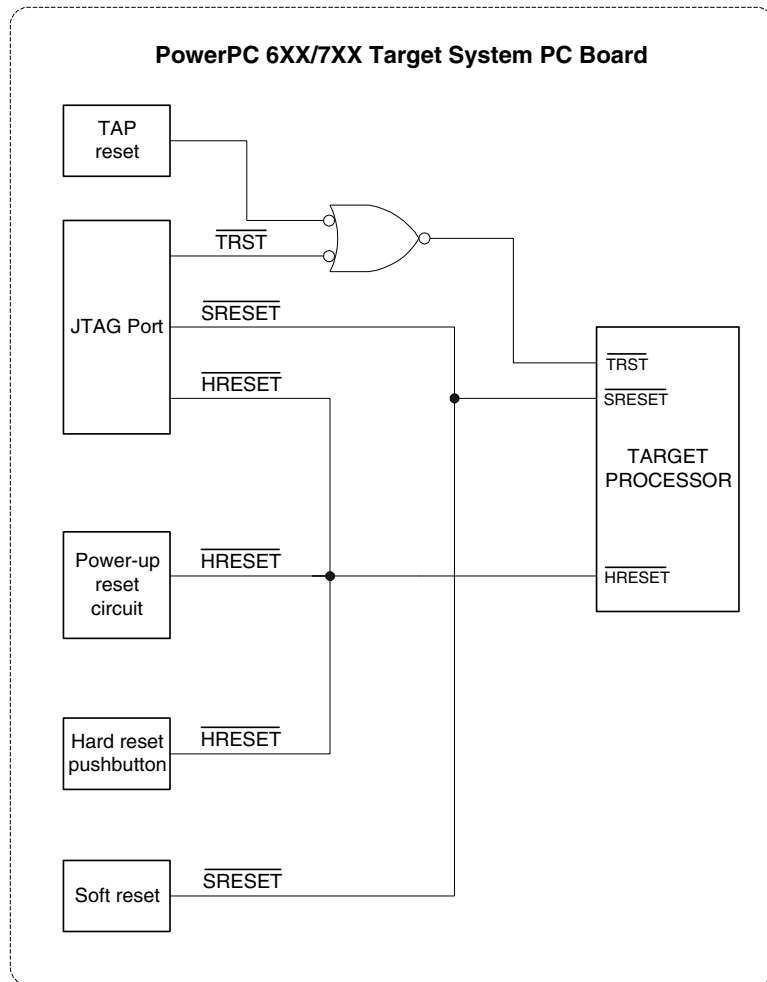
PowerPC 4XX. $\overline{\text{HALT}}$ is an open-collector (open-drain) signal. The emulation probe monitors this signal and drives it with an open-collector (open-drain) output. The signal on the JTAG/COP connector should be wire ORed with the target system drivers for this signal.

PowerPC 6XX/7XX. There are three reset signals on the JTAG/COP (Common On-chip Processor) Connector.

$\overline{\text{HRESET}}$ and $\overline{\text{SRESET}}$ (or $\overline{\text{HALT}}$ on 4XX processors) are open-collector (open-drain) signals. The emulation probe monitors these signals and drives them with an open-collector (open-drain) output. The signals on the JTAG/COP connector should be wire ORed with the target system drivers for these signals.

$\overline{\text{TRST}}$ is the TAP (Test Access Port) reset for the processor's internal JTAG/COP functions. The probe actively drives this signal and it should be logically ORed with any target system drivers for this node.





The emulation probe adds capacitance to all target system signals routed to the JTAG debug port connector. This added capacitance may increase the rise time and/or fall time of the reset signals beyond target processor specifications. Decreasing the value of the pull-up resistor on a line will decrease its rise time.

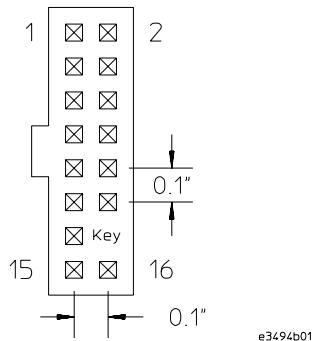
Consult the following sources for more information:

- See the tables on pages 31 and 32 for recommended pull-up resistor values.
- See the tables on page 168 for emulation probe input and output

- capacitance values.
- See the processor manufacturer's data sheet for rise/fall time specifications.

PowerPC JTAG interface connections and resistors

The target system must have a 16-pin male 2x8 header connector with dimensions as shown below.



JTAG Header Connector (top view)

Position 14 of the connector on the target system must not contain a pin. The cable supplied with the emulation probe can only be installed if pin 14 has been removed from the target system header.

Place the connector as close as possible to the processor to ensure signal integrity.

PowerPC 4XX Target Header Connections

Header Pin Number	Signal Name	Processor I/O	Board Resistor
1	TDO	Out	
2	Not connected		
3	TDI	In	10 k Ω pullup
4	Not connected ¹		
5	Not connected		
6	+POWER ²		1 k Ω series ³
7	TCK	In	10 k Ω pullup
8	Not connected		
9	TMS	In	10 k Ω pullup
10	Not connected		
11	HALT	In	10 k Ω pullup
12	Not connected		
13	Not connected		
14	KEY		
15	Not connected		
16	GND		

¹ Pin 4 should be connected to $\overline{\text{TRST}}$ on the PowerPC 405GP/405CR processors, and should be pulled up with a 10 k Ω resistor. PowerPC 401/403-based processors do not have a $\overline{\text{TRST}}$ pin.

² The +POWER signal is sourced from the target system and is used by the emulation probe as a reference signal. It should be the power signal being supplied to the processor (in the range of 2.0 V to +5.0 V). It does not supply power to the emulation probe.

³ This 1 k Ω series resistor provides short circuit current limiting protection only. If the resistor is present, it should be 1 k Ω or less.

PowerPC 6XX/7XX Target Header Connections

Header Pin Number	Signal Name	Processor I/O	Board Resistor
1	TDO	Out	
2	Not connected		
3	TDI	In	1 k Ω pulldown ¹
4	$\overline{\text{TRST}}$	In	10 k Ω pullup
5	Not connected		
6	+POWER ²		1 k Ω series ³
7	TCK	In	10 k Ω pullup
8	Not connected		
9	TMS	In	10 k Ω pullup
10	Not connected		
11	$\overline{\text{SRESET}}$	In	10 k Ω pullup
12	Not connected		
13	$\overline{\text{HRESET}}$	In	10 k Ω pullup
14	KEY		
15	$\overline{\text{CHECKSTOP}}$ or $\overline{\text{CSTP_OUT}}$	Out	10 k Ω pullup
16	GND		
Other target connections:			
	$\overline{\text{QACK}}$ ⁴	In	1 k Ω pulldown
	L2_TEST_CLK	In	10 k Ω pullup
	L1_TEST_CLK	In	10 k Ω pullup
	LSSD_MODE	In	10 k Ω pullup
	ARRAY_WR	In	10 k Ω pullup

¹ This 1 k Ω pulldown resistor ensures target system stability when the emulation probe is disconnected from the target header. Alternatively, a 10 k Ω pullup resistor can be used if desired.

² The +POWER signal is sourced from the target system and is used as a reference signal. It should be the power signal being supplied to the processor (in the range of 2.0 V to +5.0 V). It does not supply power to the emulation probe.

³ This 1 k Ω series resistor provides short circuit current limiting protection only. If the resistor is present, it should be 1 k Ω or less.

⁴ If the target system does not use $\overline{\text{QACK}}$, the board must have a 1 k Ω pulldown resistor connected to this pin. This signal allows the emulation probe to force the processor into soft stop mode. If the target system does use this signal, it should provide logic so that $\overline{\text{QACK}}$ goes low in response to a $\overline{\text{QREQ}}$.

Connecting the Emulation Probe
to a LAN

To choose a point-to-point or site LAN connection

You need to set up a LAN connection for the E5900B emulation probe, even if you are using an E5901B emulation module.

The emulation probe has an IEEE 802.3 Type 10/100Base-TX LAN connector.

The emulation probe is compatible with both 10 Mbps (10BASE-T) and 100 Mbps (100BASE-TX) twisted-pair ethernet LANs. The probe automatically negotiates the data rate for the LAN it is connected to.

Before the Emulation Control Interface can connect to the emulation probe, the probe's LAN parameters (that is, its IP address, gateway address, and subnet mask) must be set up. The IP address and other network parameters are stored in nonvolatile memory within the emulation probe.

See Also

For information on connecting a debugger to the emulation probe, see Chapter 8, "Using the Emulation Probe," beginning on page 81.

To choose a point-to-point or site LAN connection

You can connect the emulation probe to your site LAN, or you can create an isolated network between a 16700-series logic analysis system and the emulation probe using a point-to-point connection.

A point-to-point connection is especially useful when you have a 16700-series logic analysis system, and:

- You do not have a site LAN, or
- The measurement setup will be on a cart, or
- You do not want to connect the measurement setup to a LAN because of security reasons.

Advantages of a point-to-point connection:

- If you have an E5901B emulation module, all LAN parameters will be set automatically.
- No need for a system administrator to assign IP addresses. (You can use any IP address for the emulation probe, and it will not conflict with other devices on the LAN.)
- The logic analysis system cannot be accessed across the network (required in some high-security environments).
- Can be used when a site LAN is not available.

Disadvantages of a point-to-point connection:

- Neither logic analysis system nor the emulation probe are connected to a site LAN.
- A special "crossover" LAN cable must be used.
If you have an emulation module, use the LAN crossover cable supplied with the emulation module (Agilent part number 5061-7342). If you do not have an emulation module, use a Category 3 (for 10BASE-T) or Category 5 (for 100BASE-TX) crossover cable.
- The emulation probe must be near the logic analysis system. The length of the crossover cable supplied with the emulation module is 1.5m (5 feet).
- Remote file systems cannot be mounted for access to source code files, symbol files, or executable files.
- The emulation probe cannot be controlled by a debugger on a host computer.

Connection Method	Go to Page
Site LAN connection	page 40
Point-to-point	page 49

Connecting the Emulation Probe to a Site LAN

- 1 Connect the LAN cable to the connector on the emulation probe.

Be sure to use the appropriate Category 3 or Category 5 cable for your LAN. Do not use the LAN cable supplied with the emulation probe—it is a crossover cable used for point-to-point connections only.

- 2 Find out the IP address and other LAN parameters to use for the emulation probe. See “To obtain an IP address” on page 41.
- 3 Decide how you want to configure the LAN parameters:

If you have this equipment...	Use this procedure
Emulation probe only	“To configure LAN parameters using a serial connection” on page 42, or “To configure LAN parameters using DHCP” on page 45
Emulation probe and a logic analysis system without an E5901B emulation module	“To configure LAN parameters using a logic analysis system without an emulation module” on page 47
Emulation probe and a logic analysis system with an E5901B emulation module	“To configure LAN parameters using a logic analysis system with an emulation module” on page 48

- 4 Verify that your emulation probe is now active and on the network. See “To verify LAN communications” on page 51.

To obtain an IP address

- 1 Obtain the following information from your local network administrator or system administrator:

- An IP address for the emulation probe.

You can also use a "LAN name" for the emulation probe, but you must configure it using the integer dot notation (such as 127.0.0.1).

- The gateway address.

The gateway address is an IP address and is entered in integer dot notation. The default gateway address is 0.0.0.0, which allows connections only on the local network or subnet. If connections are to be made to workstations on other networks or subnets, this address must be set to the address of the gateway machine.

- The subnet mask.

A subnet mask blocks out part of an IP address so that the networking software can determine whether the destination host is on a local or remote network. It is usually represented as decimal numbers separated by periods; for example, 255.255.248.0.

- 2 Find out whether port numbers 6470 and 6471 are already in use on your network and if that use constitutes a conflict.

The host computer interfaces communicate with the emulation probe through two TCP service ports. The default base port number is 6470. The second port has the next higher number (default 6471).

In almost all cases, the default numbers (6470, 6471) can be used without change. If necessary the base port number can be changed if the port numbers conflict with some other product on your network.

To change the port numbers, see page 44. If you have already set the IP address, you can use a telnet connection instead of a serial connection to connect to the emulation probe.

To configure LAN parameters using a serial connection

The E5900B emulation probe has a 9600 baud RS-232 serial interface with an RJ12 connector.

The emulation probe is shipped with a serial cable (with RJ-12 connectors on both ends, with 6-wire straight-through connections) and an adapter (female RJ-12 to female 9-pin D subminiature). The adapter plugs into the 9-pin serial port found on most PCs.

Serial connections on a workstation

If you are using a UNIX[®] workstation as the host computer, you need to use a serial device file. If a serial device file does not already exist on your host, you need to create one. Once it exists, you need to ensure that it has the appropriate permissions so that you can access it. See the system documentation for your workstation for help with setting up a serial device.

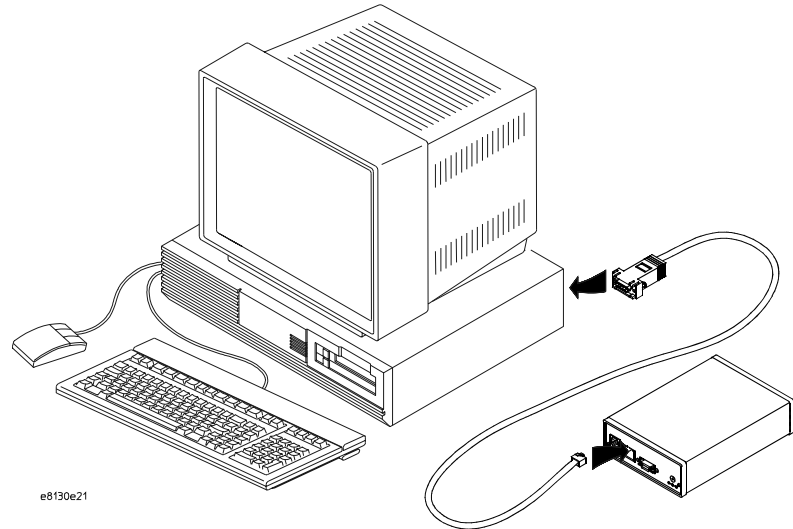
Serial connections on a PC

Serial connections are supported on PCs. You must use hardware handshaking if you will use the serial connection for anything other than setting LAN parameters.

If you are using a PC as the host computer, you do not need to set up any special files.

- 1** Connect the serial cable from the host computer to the emulation probe.

Use the DB9-to-RJ12 adapter and the serial cable supplied with the emulation probe.



- 2** Start a terminal emulator program on the host computer.

If you are using a PC, the HyperTerminal application in Microsoft® Windows® will work fine.

If you are using a UNIX workstation, you can use a terminal emulator such as `cu` or `kermitt`.

- 3** Configure the terminal emulator program for:

- Communication rate: 9600 baud
- Bits: 8
- Parity: none
- Stop bits: 1
- Flow control: none

- 4** Turn on power to the emulation probe.

When the emulation probe powers up, it sends a version message to the serial port, followed by a prompt.

- 5** Press the Return or Enter key a few times.

Chapter 4: Connecting the Emulation Probe to a LAN

Connecting the Emulation Probe to a Site LAN

You should see a prompt such as "p>" or "R>".

For information about the commands you can use, enter ? or help at the prompt.

- 6 Display the current LAN configuration values by entering the **lan** command:

```
R> lan
lan is enabled
  Link Status is UP
  100BaseTX
  lan -i 15.5.24.116
  lan -g 15.5.23.1
  lan -s 255.255.248.0
  lan -p 6470
  Ethernet Address : 08000909BAC1
R>
```

The Ethernet address, also known as the link level address, is preassigned at the factory, and is printed on a label on the emulation probe.

- 7 Enter the following command:

```
lan -i <internet> [-g <gateway>] [-p <port>] [-s
<subnet>]
```

The lan command parameters are:

- i **<internet>** The IP address which you obtained from your network administrator.
- g **<gateway>** The gateway address. Setting the gateway address allows access outside your local network or subnet.
- s **<subnet>** This changes the subnet mask.
- p **<port>** This changes the base TCP service port number, normally 6470.

Do not change the default port numbers (6470, 6471) unless they conflict with some other product on your network. The numbers must be greater than 1024. If you change the base port, enter the new value in the configuration of your debugger (and, for UNIX workstations, in the /etc/services file).

- 8 Cycle power on the emulation probe.

The IP address and any other LAN parameters you change are stored in nonvolatile memory and will take effect when the emulation probe is powered

off and back on again.

Example

To assign an IP address of 192.6.94.2 to the emulation probe, enter the following command:

```
R>lan -i 192.6.94.2
```

Cycle power on the emulation probe so that the new address will take effect.

- 9 Verify your emulation probe is now active and on the network. See “Verifying LAN Communications” on page 51.

Once you have set a valid IP address, you can use the telnet utility to connect to the emulation probe, and use the lan command to change LAN parameters.

To configure LAN parameters using DHCP

If there is a DHCP server on your network which responds to BOOTP requests and supports “static allocation” of IP addresses, it can be used to set the emulation probe’s LAN parameters.

- 1 Ask your system administrator to set up an IP address for the emulation probe on the DHCP server.

You will need to supply the link-level address of the emulation probe.

The link-level address (LLA) is printed on a label above the LAN connector on the emulation probe. This address is configured in each emulation probe shipped from the factory and cannot be changed.

- 2 Connect the LAN cable to the connector on the emulation probe.
- 3 Cycle power on the emulation probe by powering it off then on again.
- 4 Wait at least 20 seconds for the emulation probe to recognize the LAN.
- 5 Verify that your emulation probe is now active and on the network. See "To verify LAN communications" on page 51.

What is DHCP?

DHCP (Dynamic Host Configuration Protocol) allows clients to obtain LAN parameters automatically from a server.

How does the emulation probe use DHCP?

The emulation probe uses “static allocation” (sometimes called “manual allocation”) to obtain a permanent IP address. Every time the emulation probe is turned on, it sends out a BOOTP request packet. If the DHCP server on the network responds to BOOTP requests and has been configured to reply to the emulation probe’s link-level address, it will respond with the IP address and other LAN parameters.

The emulation probe does not support “automatic allocation”, which permanently allocates IP addresses from a pool of addresses.

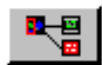
Nor does the emulation probe support “dynamic allocation” of IP addresses—it does not track lease duration and request a new IP address when the lease is about to expire.

How does DHCP interact with other methods of setting LAN parameters?

Every time the emulation probe is turned ON, it sends out a BOOTP request packet (even if the LAN parameters have already been configured). As long as the DHCP server is configured to reply to BOOTP requests from the emulation probe’s link-level address, it will respond with the IP address and other LAN parameters.

To configure LAN parameters using a logic analysis system without an emulation module

- 1 Connect the LAN cable to the connector on the emulation probe.
- 2 In the logic analysis system interface, open the Workspace window by selecting the Workspace icon.



- 3 Scroll down the left side of the toolbox in the workspace window and find the emulation probe tool. Drag the emulation probe icon from the toolbox to the workspace.



- 4 From the emulation probe icon, select **Init Probe LAN Addresses...**
- 5 Enter the link-level address of the probe you wish to set up.
- 6 Enter the internet address, gateway IP and subnet mask in the appropriate fields.
- 7 Select **OK**.

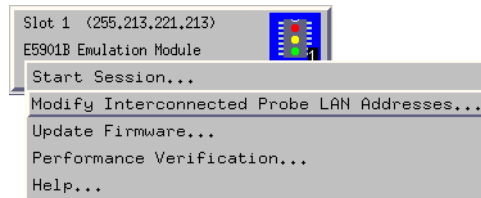
If "ERROR - no response from emulation probe" is displayed, check that the emulation probe is properly connected to the LAN. Then try selecting **OK** again.

If no error message is displayed, the internet address and other network parameters will be stored in nonvolatile memory and will take effect when power is cycled.

- 8 Cycle power on the emulation probe by powering it off then on again.

To configure LAN parameters using a logic analysis system with an emulation module

- 1 Connect the emulation module to the emulation probe. (See page 35.)
- 2 Connect the LAN cable to the connector on the emulation probe.
- 3 Cycle power on the emulation probe by powering it off then on again.
- 4 Wait at least 20 seconds for the emulation probe to recognize the LAN.
- 5 From the E5901B emulation module icon, select **Modify Interconnected Probe LAN Addresses...**



- 6 Select **Read Probe Addresses** to read the current settings.
- 7 Enter the internet address, gateway IP and subnet mask in the appropriate fields.
- 8 Select **OK**.
- 9 Cycle power on the emulation probe. The new addresses will take effect after you cycle power.

Setting up a Point-to-Point Connection

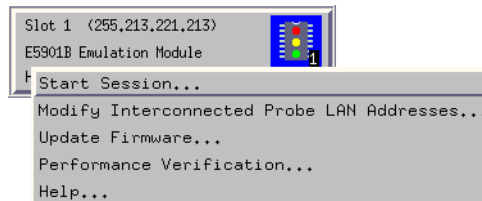
A point-to-point connection creates an isolated network with only two nodes—the logic analysis system and the emulation probe.

There are two ways to set up the connection:

If you have this equipment...	Use this procedure
Emulation probe and a logic analysis system <i>with</i> an E5901B emulation module	“To set up a point-to-point connection with an emulation module” on page 49
Emulation probe and a logic analysis system <i>without</i> an E5901B emulation module	“To set up a point-to-point connection without an emulation module” on page 50

To set up a point-to-point connection with an emulation module

- 1 Connect the emulation module to the emulation probe (page 35).
- 2 Connect the crossover LAN cable between the logic analysis system and the emulation probe.
- 3 In the logic analysis system main window, open the System Administration dialog and check that networking is enabled.
- 4 Select the emulation module icon then select **Start Session....**



This will automatically configure the LAN connection and start the Emulation Control Interface. There is no need to set the IP address of the emulation probe.

To set up a point-to-point connection without an emulation module

- 1 Connect the crossover LAN cable between the logic analysis system and the emulation probe.
- 2 Turn on power to the emulation probe.
- 3 In the logic analysis system main window, select the System Administration icon.
- 4 Select **Network Setup...**
- 5 Select **Standard** to turn on networking.
- 6 Select **Default Network**.

Leave the network parameters with the default values. The IP address should be 192.0.2.231.

- 7 In the Network Setup dialog, select **OK**.
- 8 In the main system window, select the Workspace icon.
- 9 Drag the emulation probe icon onto the workspace.



- 10 From the emulation probe icon, select **Init Probe LAN Addresses...**
- 11 Enter the link-level address of the emulation probe.

The link-level address (LLA) is printed on a label above the LAN connector on the emulation probe.

- 12 Enter the following IP address: 192.0.2.233
- 13 Select **OK** then follow the instructions.

Note about the Setup Assistant: If networking is *disabled* for the 16700-series logic analysis system, the Setup Assistant will guide you through the process of setting up a point-to-point connection. If networking is *enabled*, the Setup Assistant assumes you want to connect the emulation probe to a site LAN.

Verifying LAN Communications

Verify your emulation probe is now active and on the network by issuing a **ping** or **telnet** command to the IP address.

To verify LAN communications using ping

These instructions assume you are using a PC running Microsoft Windows 95 or Windows 98. The procedure for other operating systems is slightly different.

- 1 Open an MS-DOS® window or select **Start→Run...**
- 2 Enter the **ping** command followed by the IP address of the emulation probe.

Example

```
C:\WINDOWS>ping 192.35.12.6

Pinging 192.35.12.6 with 32 bytes of data:

Reply from 15.6.253.138: bytes=32 time=1ms TTL=254
Reply from 15.6.253.138: bytes=32 time=1ms TTL=254
Reply from 15.6.253.138: bytes=32 time=1ms TTL=254
Reply from 15.6.253.138: bytes=32 time<10ms TTL=254
```

If You Have Problems If the response is something like "100% packet loss" or "Destination host unreachable", see "Problems with the LAN Interface" on page 171.

To verify LAN communications using telnet

- 1 Verify your emulation probe is now active and on the network by issuing a telnet to the IP address.

This connection will give you access to the emulation probe's built-in terminal interface.

- 2 To view the LAN parameters, enter the lan command at the terminal interface prompt.
- 3 To exit from this telnet session, type Ctrl+D at the prompt.

The best way to change the emulation probe's IP address, once it has already been set, is to telnet to the emulation probe and use the terminal interface lan command to make the change. Remember, after making your changes, you must cycle power before the changes take effect. Doing this will break the connection and end the telnet session.

To use telnet on a 16700-series logic analysis system, select the System Administration icon, select the **Networking** tab, then select **telnet...**

If You Have Problems See "Problems with the LAN Interface" on page 171.

Example

```
$ telnet 192.35.12.6
R>lan
lan is enabled
lan -i 192.35.12.6
lan -g 0.0.0.0
lan -s 255.255.248.0
lan -p 6470
Ethernet Address : 08000F090B30
```

Installing the Optional Emulation Module

Chapter 3: Installing the Optional Emulation Module

This chapter shows you how to install the optional emulation module in your Agilent Technologies 16700-series logic analysis system and how to connect the emulation module to an emulation probe.

If you are not using an Agilent logic analysis system with your emulation probe, or if your emulation module is already installed in your logic analysis system frame, you may skip this chapter.

CAUTION:

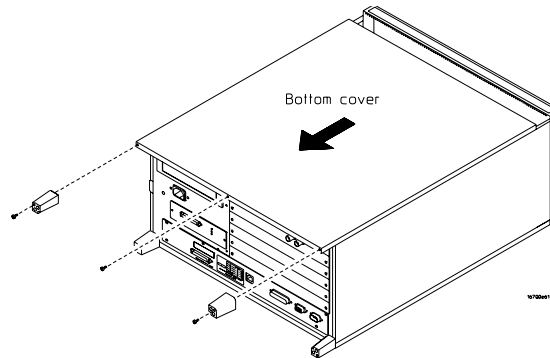
Electrostatic discharge (ESD) can damage electronic components. Observe standard ESD precautions. Use grounded wrist straps and mats when you handle modules.

You will need to set up a LAN connection for the E5900B emulation probe, even if you are using an E5901B emulation module.

To install the emulation module in an Agilent 16700-series logic analysis system or expansion frame

You will need T-10 and T-15 Torx screw drivers (supplied with the emulation module)

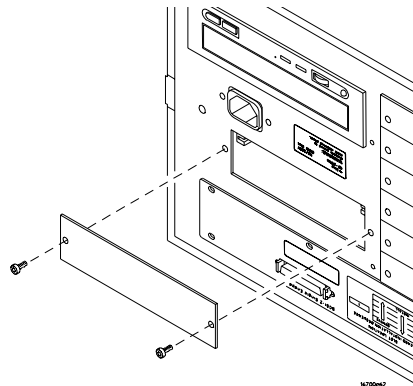
- 1 Turn off the logic analysis system and REMOVE THE POWER CORD.
Remove any other cables (including mouse or video monitor cables).
- 2 Turn the logic analysis system frame upside-down.
- 3 Remove the bottom cover.



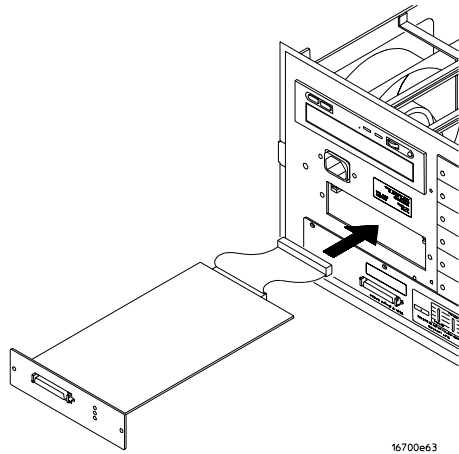
- 4 Remove the slot cover.

NOTE:

The 16700B-series logic analysis system (which is shown here) has one available slot. If you have a 16700A-series logic analysis system, you may use either of the two slots.



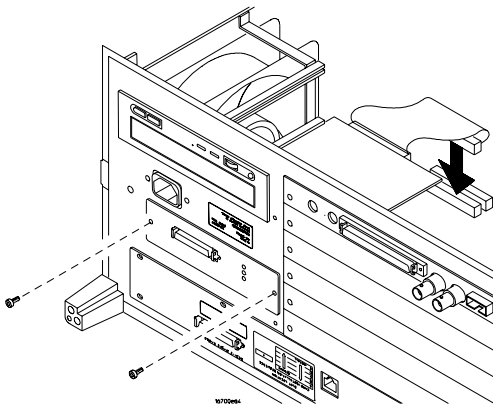
- 5 Install the emulation module.



- 6 Connect the cable and re-install the screws.

NOTE:

The 16700B-series logic analysis system (which is shown here) has one available connector. If you have a 16700A-series logic analysis system, you may connect the cable to either of the two connectors.

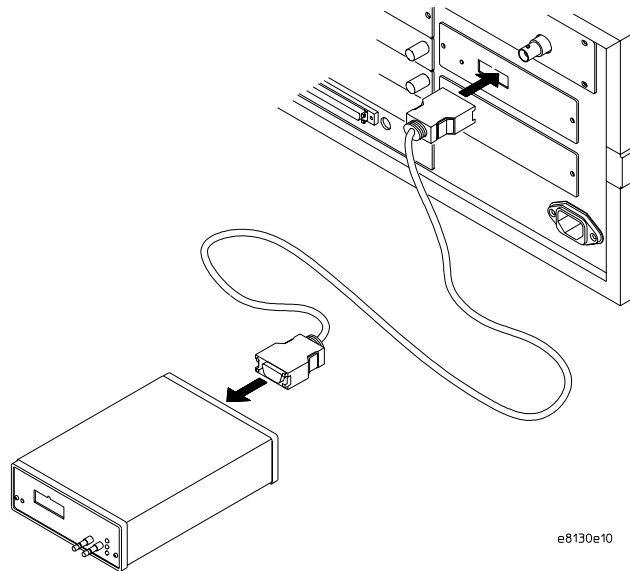


- 7 Reinstall the bottom cover, then turn the frame right-side-up.
- 8 Plug in the power cord, reconnect the other cables, and turn on the logic analysis system.

The new emulation module will be shown as an "E5901B Emulation Module" in the system window.

To connect the E5901B emulation module to the E5900B emulation probe

- 1 Connect one end of the module/probe interconnect cable to the E5901B emulation module in the logic analysis system mainframe.
- 2 Connect other end of the module/probe interconnect cable to the "Emulation Module" connector on the E5900B emulation probe.



- 3 Power on the emulation probe.

The LED next to the switch is lit when the switch is turned on and the probe is being supplied with power.

Power is supplied by the 16700-series logic analysis system through the module/probe interconnect cable. The external power supply is not necessary for normal operation.

See Also

Chapter 4, "Connecting the Emulation Probe to a LAN," beginning on page 37. (You need to connect the emulation probe to the LAN, even when you are using an emulation module.)

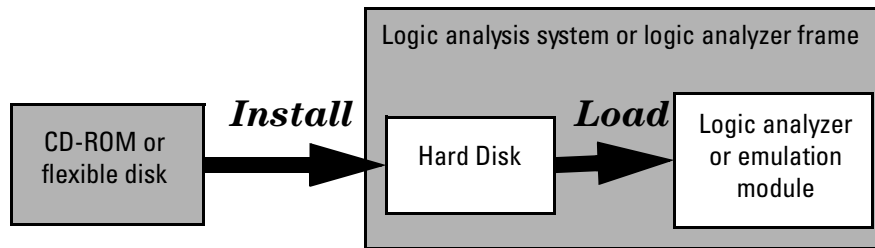
Chapter 6, "Connecting the Emulation Probe to Your Target System," beginning on page 59.

Installing Software on a 16700-Series
Logic Analysis System

This chapter explains how to install the software you will need for your analysis probe or emulation solution.

Installing and loading

Installing the software will copy the files to the hard disk of your logic analysis system. Later, you will need to **load** some of the files into the appropriate hardware module.



What needs to be installed

16700-series logic analysis systems

If you ordered an emulation solution with your logic analysis system, the software was installed at the factory.

The following files are installed when you install a processor support package from the CD-ROM:

- Logic analysis system configuration files
- Inverse assembler (automatically loaded with the configuration files)
- Personality files for the Setup Assistant
- Emulation module firmware (for emulation solutions)
- Emulation Control Interface (for emulation solutions)

The B4620B Source Correlation Tool Set is installed with the logic analysis system's operating system.

To install the software from CD-ROM

Installing a processor support package from a CD-ROM will take just a few minutes. If the processor support package requires an update to the Agilent Technologies 16700 operating system, installation may take approximately 15 minutes.

NOTE:

The 16700B-series logic analysis systems have internal CD-ROM drives. The 16700A-series logic analysis systems have external CD-ROM drives.

If your system uses an external CD-ROM drive and it is not connected, see the connection instructions printed on the CD-ROM package.

- 1 If your system uses an external CD-ROM drive, turn on the CD-ROM drive first and then turn on the logic analysis system. Otherwise, simply turn on the logic analysis system.

If the CD-ROM and analysis system are already turned on, be sure to save any acquired data. The installation process may reboot the logic analysis system.

- 2 Insert the CD-ROM in the drive.

- 3 Select the **System Administration** icon. 

- 4 Select the **Software Install** tab.

- 5 Select **Install...**

Change the media type to "CD-ROM" if necessary.

- 6 Select **Apply**.

- 7 From the list of types of packages, double-click "**PROC-SUPPORT**."

A list of the processor support packages on the CD-ROM will be displayed.

NOTE:

For touch screen systems, double select the "**PROC-SUPPORT**" line by quickly touching it twice.

- 8 Select the **POWERPC4XX**, **POWERPC6XX**, or **POWERPC7XX** package.

If you are unsure whether this is the correct package, select **Details** for information about the contents of the package.

9 Select **Install**.

The Continue dialog box will appear.

10 Select **Continue**.

The Software Install dialog will display "Progress: completed successfully" when the installation is complete.

11 If required, the system will automatically reboot. Otherwise, close the software installation windows.

The configuration files are stored in a subdirectory of `/logic/configs/hp`. The inverse assemblers are stored in `/logic/ia`.

See Also

See the instructions printed on the CD-ROM package for a summary of the installation instructions.

See the online help for more information on installing, licensing, and removing software.

To list software packages which are installed (16700)

In the System Administration Tools window, under the **Software Install** tab, select **List...**

Connecting the Emulation Probe to Your Target System

Chapter 6: Connecting the Emulation Probe to Your Target System

This chapter shows you how to connect the emulation probe to the target system and how to configure the emulation probe and target.

Here is a summary of the steps for connecting and configuring the emulation probe:

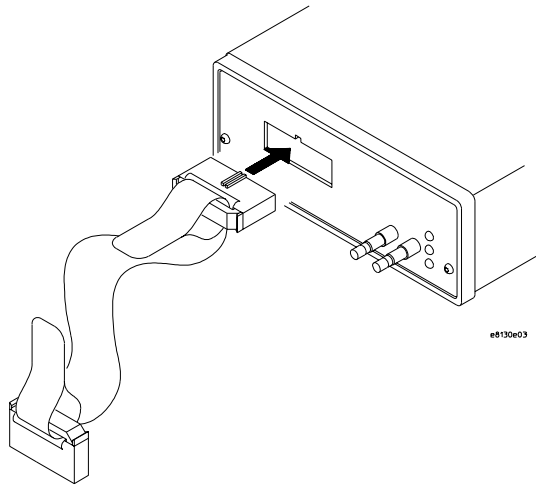
- 1** Make sure the target system is designed to work properly with the emulation probe. (See page 25.)
- 2** Install the emulation module in your logic analysis system, if necessary. (See page 31.)
- 3** Connect the emulation probe to a LAN. (See page 37.)
- 4** Connect the emulation probe to your target system using the ribbon cable. (See page 61.)
- 5** Update the firmware of the emulation probe, if necessary. (See page 135.)
- 6** Configure the emulation probe. (See page 69.)
- 7** Connect a debugger to the emulation probe, if applicable. (See page 83.)

To connect the emulation probe to the target system

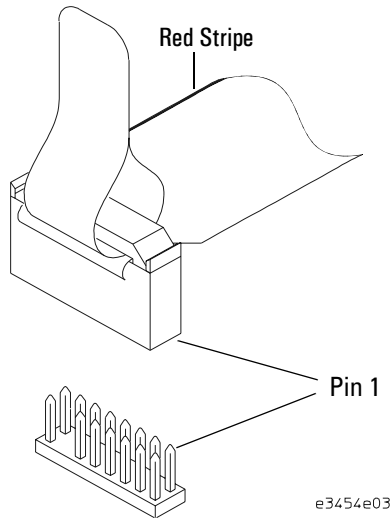
The emulation probe can be connected to a target system through a 16-pin JTAG port connector (a 16-pin male 2x8 header connector on the target system).

The emulation probe should be connected to the target system using the ribbon cable provided.

- 1** Turn off power to the target system.
- 2** Turn off power to the emulation probe.
- 3** Plug the un-keyed end (pin 14 is open) of the ribbon cable into the emulation probe.



- 4 Plug the keyed end of the cable (pin 14 is blocked) into the JTAG debug port on the target system.



CAUTION:

Orient the red stripe *away* from pin 1 of the connector and towards the key pin. If the connector is rotated, your target system or the emulation probe may be damaged.

- 5 Turn on power to the emulation probe.
- 6 Turn on power to the target system.

After you have connected the emulation probe to your target system, you may need to update the firmware in the emulation probe.

See Also

For information on designing a debug port on your target board, see page 26.
For a list of the parts supplied with the emulation probe, see page 16.

Configuring the Emulation Probe

Chapter 7: Configuring the Emulation Probe

The emulation probe has several user-configured options. These options may be customized for specific target systems.

The easiest way to configure the emulation probe is through the Emulation Control Interface in an Agilent 16700-series logic analysis system.

For more information on starting the emulation control interface, select Help... from the emulation probe/module icon.

If you use the Emulation Control Interface, please refer to the online help in the Configuration window for information on each of the configuration options.

Other ways to configure the emulation probe are by using:

- The emulation probe's built-in command line interface (see page 112.)
- Your debugger, if it provides an "emulator configuration" window which can be used with this emulation probe

What can be configured

Configuration options are discussed in the following sections:

Section Title	Page
Processor type	74
Processor version	75
JTAG clock speed	76
Restriction to real-time runs	78
Reset operation	79
Reset vector address	81
Power on reset behavior	81
Freeze timers option	82
Branch folding	83
Address validation	84
Fast memory loads	85
Memory model	86
Memory read operation	87
Data memory write operation	88
Instruction memory write operation	89
Memory read delay	91, 92
Memory write delay	93, 94
Address translation	95
Checkstop status	96
Break in SMB port behavior	97
Trigger out SMB port behavior	98
Voltage reference	99
Voltage threshold	100
32-bit/64-bit mode	100
Data parity	101
Caches	102

Using the **cf** Commands

You can configure the emulation probe using the built-in “cf” commands.

1 Establish communications with the emulation probe over the LAN.

You can either telnet from a networked computer or you can use the debugger. For more information, refer to “Connecting the Emulation Probe to a Site LAN” on page 40.

Debuggers typically provide some way to enter commands in the emulation probe’s command line interface, or they provide a window for configuring the emulation probe.

2 Enter the “**cf**” command to view the current configuration settings.

Example

```
p>cf
cf rrt=yes
cf reset=runrom
cf speed=26MHz
cf mrdop=mm
cf dmwrop=mm
cf imwrop=upd_dcu
cf mrddel=0
cf mwrddel=0
cf breakin=rising
cf trigout=monhigh
cf parity=off
cf address=effective
cf 32bitmode=off
cf vref=external
cf thresh=1/2
```


- 3 Enter the “help cf” or “? cf” command to see a complete list of the configuration items that may be set.

Example

```
p>? cf

cf - display or set emulation configuration

cf                - display current settings for all config items
cf <item>         - display current setting for specified <item>
cf <item>=<value> - set new <value> for specified <item>
cf <item> <item>=<value> <item> - set and display can be combined
cf default       - return all items to default

help cf <item>   - display long help for specified <item>

--- VALID CONFIGURATION <item> NAMES ---
rrt      - Restrict to real-time runs
reset    - Configure reset actions
speed    - Set JTAG clock
mrdop    - Configure mem read operation
dmwrop   - Configure D mem write operation
imwrop   - Configure I mem write operation
mrddel   - Set memory read delay
mwrddel  - Set memory write delay
breakin  - Select SMB break input option
trigout  - Select SMB trigger output option
parity   - Enable/disable data parity
address  - Verify address translation
32bitmode - Conform to 32 bit mode
vref     - Voltage reference
thresh   - Voltage threshold
```

- 4 To see a more detailed description of any configuration item, use the command “help cf <item>”.

Example

```
p>help cf rrt

Restrict to real-time runs

cf rrt=yes
cf rrt=no

If yes (and while the processor is running the user program), any
command that requires the processor to be stopped will be rejected.
For example 'reg' and 'm'.

If no, commands that require the processor to be stopped will
actually stop the processor, execute then resume running the
processor.
```

- 5 Use the **cf** commands to change the configuration settings (see “Configuration items” on page 74).

See Also

For information on other commands, see “To use the built-in commands” on page 157.

Configuration items

Configuration items can be changed using the various `cf <item>` commands listed in this chapter. Configuration information is stored in non-volatile memory, so the changes you make to the emulation probe configuration will remain in effect even if you cycle power to the emulation probe.

Default configuration

To restore the emulation probe configuration to factory default settings, issue the `cf default` command.

To configure the processor type

The emulation probe may be configured for a particular processor type:

- by loading the appropriate firmware driver
- by issuing the `procs` command

All processors require the appropriate firmware driver. See “Updating Firmware” on page 135 for instructions on installing the correct firmware driver for your target processor.

NOTE:

The `cf proc` command is not used. For all drivers described in this book, the `cf proc` configuration defaults to the correct value for all processors supported under the particular firmware driver used.

To configure the processor version using the `procs` command (PowerPC 740P and 750P)

If your target processor is a PowerPC 740P/750P, you must use the `procs` command in addition to the other PowerPC 740/750 configuration commands. Normally the emulation probe reads the target's Processor Version Register (PVR) at initialization to determine the PowerPC700 chip type. However, additional configuration is required when using the PowerPC 740P/750P to ensure that the emulation probe is correctly configured.

Processor	Command
PowerPC 740P	<code>procs 740REV2</code>
PowerPC 750P	<code>procs 750REV2</code>

For example:

- 1 To set the processor type to PowerPC 750P enter:

```
M>>procs 750REV2
```

- 2 To see which processor type has been selected:

```
M>>procs  
740REV2/750REV2 (PVR 0x000802xx)
```

Configuration items**To configure the JTAG test clock (TCK) speed (communication speed)**

The emulation probe needs to be configured to communicate at a rate which is compatible with your target processor. The JTAG clock speed is independent of processor clock speed.

Target systems that have additional loads on the JTAG lines or do not quite meet the requirements described in Chapter 2, “Designing a Target System for an Emulation Probe,” may require a slower TCK speed setting.

The speed value is a number followed by either K, which indicates the value is in kHz, or M, which indicates the value is in MHz. The clock speed ranges are shown in the table that follows. Not all values in the range are valid; if an invalid speed is entered, the next slower valid speed will be used.

Entering **cf speed** without a value will display the current speed.

JTAG clock speed configuration**Command**

```
cf speed=value
```

JTAG TCK (Test Clock) Speed Configuration

Target System Processor	Emulation Probe Factory Default TCK (MHz)	Emulation Probe Minimum TCK (kHz)	Emulation Probe Maximum TCK (MHz)	Manufacturer Spec. Max TCK (MHz)*
400	12	11	50	50
603e	16	11	50	50
603ei	20	512	40	25
603ev	16	11	50	50
740	30	11	50	50
745, 755	16	512	40	25
750CX	26	11	50	50

*The Manufacturer Spec Max TCK value may be inaccurate due to mask revisions and other factors. The maximum TCK rate that works with your target system will be dependent on many factors including signal routing, signal integrity, and processor architecture.

Configuring the Emulation Probe for Maximum Performance

The performance of the emulation probe depends on the speed at which it communicates with the target system. Better performance is obtained with faster communication speeds.

Setting TCK speed

On JTAG debug ports the communication speed is controlled by the clock signal TCK. This signal is generated by the emulation probe. You can set the speed of TCK using the Emulation Control Interface in a 16700-series logic analysis system or by using the **cf speed** command through a telnet or debugger connection to the emulation probe.

To change TCK speed, send a **cf speed=value** command to the probe. To restore factory defaults including speed setting, send a **cf default** command. For more information about cf speed, send a **help cf speed** command to the probe. Also note that some debuggers allow the speed to be set from within their GUI (Graphical User Interface) or from a command file.

When to decrease TCK speed

Emulation probes are configured at the factory with a default TCK speed. This speed is suitable for most applications. However, this speed is only valid if the processor is running at its full rated speed, trace lengths from the processor to the JTAG connector are short (two inches or less), and there are no stubs on the JTAG signals. If the emulation probe cannot communicate reliably with the target system using the factory default speed, the TCK speed must be reduced.

When to increase TCK speed

Some target systems will allow TCK speeds greater than the default. The actual maximum speed for a given target system can be determined empirically by increasing the speed and observing whether communication to the target is reliable. However, please note that speeds greater than the default are not officially supported by Agilent or the chip manufacturer. Often TCK can be set to a faster speed when downloading code than when running code.

To configure restriction to real-time runs (All processors)

This option enables or disables restriction to real-time runs implemented for all commands other than "rst", "b", "s" and "r".

Real-time Run Configuration

Command	Emulation module configured for
cf rrt=no	If the processor is running user code, a request for a register or memory display will put the processor in monitor mode, read the requested register(s), then restore the processor to running user code. (Default 603ei, 745, 755)
cf rrt=yes	If the processor is running user code, a request for a memory or register display will return: !ERROR 647! Restricted to Real Time. (Default 400, 603e, 603ev, 740, 750)

If your debugger allows displaying or modifying memory or registers while the processor is running, you must set rrt=no in order to use that feature.

To configure reset operation

The reset configuration item controls the type of reset performed and the state of the processor after reset. The reset options available are determined by the specific firmware driver is being used. (See the table on page 136 for a list of firmware drivers.)

PowerPC 400 Reset Configuration

Command	Effect of a reset from the emulation module
cf reset=core	A core reset resets the processor core, including the data and instruction caches. It does not alter the DMA controller, Bus Interface Unit or Serial Port (if one exists). The content of external DRAM is preserved since refreshes continue during reset. Device Control Registers (DCRs) are not affected by a core reset. A core reset stops the processor at address 0xFFFFF0FC.
cf reset=chip	A chip reset resets the entire chip including the core, caches, DMA Controller, Bus Interface Unit and Serial Port (if one exists). The content of external DRAM is not preserved since refreshes stop during and after the reset. A chip reset stops the processor at address 0xFFFFF0FC. (Default)
cf reset=sys	A sys reset resets the entire chip with the same effect as a chip reset. In addition, the RESET signal is driven active (low) for a minimum of three clock cycles. A sys reset runs the processor from address 0xFFFFF0FC.
cf reset=jtag	A jtag reset merely resets the JTAG port on the processor. It does not affect any of the processor resources or its state.

Configuration items**PowerPC 603e, 603ev, 603e2, 603P, 603ec, 603R, 740, 750, 750M, 740P, 750P, 750CX, 750CXe Reset Configuration**

Command	Effect of a reset from the emulation module
cf reset=runrom	Issuing the rst command will hard reset the processor, reset the JTAG interface, soft reset the processor and cause it to run from address 0xFFFF00100. (Default)
cf reset=runram	Issuing the rst command will hard reset the processor, reset the JTAG interface, soft reset the processor and cause it to run from address 0x00000100.
cf reset=rom	Issuing the rst command will hard reset the processor, reset the JTAG interface, soft reset the processor and cause it to stop at address 0xFFFF00100.
cf reset=ram	Issuing the rst command will hard reset the processor, reset the JTAG interface, soft reset the processor and cause it to stop at address 0x00000100.
cf reset=jtag	Issuing the rst command will reset the JTAG interface on the processor.

PowerPC 603ei, 745, 755 Reset Configuration

Command	Effect of a reset from the emulation module
cf reset=run	Issuing the rst command will hard reset the processor, reset the JTAG interface, and allow the processor to run. (Default)
cf reset=stop	Issuing the rst command will hard reset the processor, reset the JTAG interface, and cause the processor to stop at the reset exception vector 0xffff00100 or 0x00000100. The address used is determined by the vector address configuration item (see page 81).

To configure reset vector address (PowerPC 603ei, 745, 755)

The reset vector address configuration item tells the emulation probe which reset vector the target hardware is using. This value does not set the reset vector. This is done by the hardware.

Vector Address Configuration

Command	Emulation module configured for
cf vector=fff00100	Emulation probe is told that fff00100 is the reset vector. (Default)
cf vector=00000100	Emulation probe is told that 00000100 is the reset vector.

To configure power on reset operation (PowerPC 745, 755)

The power on reset configuration item determines whether the emulation probe asserts a **rst** command upon target system power up.

Reset Configuration

Command	Emulation module configured for
cf pwrrst=on	An emulation reset command (rst) is invoked about 1/2 second after the target power transitions on. Subsequent operation is determined by the "cf reset" configuration item. (Default)
cf pwrrst=off	Target reset operation at the power on transition is controlled by target. After the target reset the target processor will typically start running. The emulation probe will not be involved with the reset or the subsequent run.

To set the freeze timers option (PowerPC 400)

The freeze timers option determines how break, run, and step commands affect the state of timers.

Freeze Timers Configuration

Command	Meaning
cf frztmrs=yes	A break (stop) command will stop the processor and also freeze its timers.
	A run command will run the processor and will not change the state of the timers.
	A step command will step the processor and will not change the state of its timers.
cf frztmrs=no	A break (stop) command will stop the processor and will not change the state of the timers.
	A run command will run the processor and unfreeze its timers.
	A step command will step the processor and will not change the state of its timers.
(Default)	

To enable branch folding (PowerPC 400)

This configuration item controls emulation probe behavior when stepping through assembly language branch instructions.

Branch Folding Configuration

Command	Meaning
cf brfold=yes	<p>The processor is allowed to fold branches and cr logicals during stepping and running.</p> <p>Folding a branch results in an automatic jump to the branch location upon encountering a branch instruction. (Default)</p> <p>Note: This setting is not valid for the 401GF or for 401 core-based processors.</p>
cf brfold=no	<p>The processor is not allowed to fold branches and cr logicals during stepping and running.</p> <p>When a branch instruction is encountered, program execution will stop at the branch instruction rather than automatically evaluating the branch instruction and jumping to the location specified.</p>

To enable or disable address validation (PowerPC 400)

The address validation option can be used to check the validity of addresses prior to accessing memory.

Address Validation Configuration

Command	Meaning
cf addrv=yes	<p>If yes, the driver checks the validity of addresses before it performs memory accesses. Valid memory addresses are either memory mapped on the chip's internal bus or defined by a bank register. A memory access to an invalid address will return an error message.</p> <p>Note: This setting is not valid for the 401GF or for 401 core-based processors.</p>
cf addrv=no	<p>If no, the driver does not check the validity of addresses. A memory access to an invalid address, in this case, will not return an error message but will cause a bus error on the processor. (Default)</p>

To enable fast memory loads (PowerPC 400)

When the emulation probe is configured for fast memory loads it ignores memory write coherency options (`cf inwrop` and `cf dmwrop`) in order to improve performance while loading memory. Instead of following the coherency model specified by the `inwrop` or `dmwrop` configuration entries, the emulation probe turns off both caches, invalidates the instruction cache and flushes the dcache, then begins the load. Once the load is complete, the cache configuration registers are returned to their original states.

The fast memory write configuration gains much of its speed by ignoring unusual cases that the slower memory write function must handle. Specifically, fast memory load can not be used if data is not word aligned, data access size is not set to 4, or if the MMU or debug wait mode are enabled. If any of these conditions are true, slow memory write will be used regardless of the setting of this configuration item.

Fast Memory Loads Configuration

Command	Meaning
<code>cf fastload=yes</code>	Enable fast target memory load. (Default)
<code>cf fastload=no</code>	Use normal memory load routine.

The `cf fastload=no` command can be issued if the user wants the load command to follow memory write coherency options or if there are problems with the fast memory write routines on particular targets.

Configuration items

To configure the memory model (PowerPC 603ei, 745, 755)

You can use a cache coherency or a physical memory model for memory reads and writes. If both instruction and data caches are off (bits HID0[ICE] and HID0[DCE] are zero), this configuration setting has no effect and memory reads return the contents of physical memory.

Memory Model Configuration

Command	Meaning
cf memmodel=cache	Use the cache coherency model. This model assumes instructions and data are separate, and will not occur within the same cache block (way). (Default)
cf memmodel=physical	Use only the physical model, regardless of the state of the cache.

To configure the memory read operation (PowerPC 400, 603e, 603ev, 603e2, 603P, 603ec, 603R, 740, 750, 750M, 740P, 750P)

Although PowerPC processors have one contiguous physical address space that can hold both data and instructions, it is necessary to differentiate between data spaces and instruction spaces when dealing with a memory/cache coherency model during a write memory operation.

The memory read operation configuration entry defines how the memory and cache interact during a memory read operation. If both instruction and data caches are turned off (bits ICE and DCE in the register HID0 are zero), this configuration setting has no effect and a memory read will always return the contents of physical memory.

Memory read configuration

Command	emulation probe configured for
cf mrdop=mm	A memory read from an address that is valid in either the data or instruction cache will return the contents of the cache. Memory reads from addresses not valid in either cache will return the contents of the physical memory. (Default)
cf mrdop=phys	A memory read will always return the contents of physical memory.

CAUTION:

Using the mrdop=phys setting with the cache enabled may show data that is no longer valid. Use this setting only for solving cache problems where you really need to see the contents of physical memory. For general operation, the "mm" setting should always be used.

The instruction cache in PPC740 and PPC750 is encoded. The emulation probe will decode the content of the instruction cache before displaying it. However, the emulation probe will only decode valid instructions. Invalid instructions in the cache will be displayed in coded form, which might not match the content of memory.

Configuration items

To configure data memory write operations (PowerPC 400, 603e, 603ev, 603e2, 603P, 603ec, 603R, 740, 750, 750M, 740P, 750P)

Although the PowerPC processor has one contiguous physical memory address space that can hold both data and instructions, it has separate caches for instructions and data. These separate caches must be considered in order to keep the caches and memory coherent during memory write operations.

These settings are only used for data memory write operations. Code download always writes to physical memory and disables any cache entries containing addresses written for improved performance. Some host interfaces use the code download mode for all memory write operations so this setting may or may not have any effect on your debugger.

Only the memory write command allows specifying instruction or data memory operations. This may not be provided by your debugger interface. If not specified, memory write operations are always instruction memory.

If the data cache is disabled, a data memory write will always write to physical memory and this configuration setting is ignored.

Data memory write configuration

Command	emulation probe configured for
cf dmwrop=mm	Data writes to addresses that are valid in the data cache will write the value only to the cache and mark the cache line modified as "dirty", which will indicate to the CPU that the cache line must be written to memory. A data write that is not valid in the data cache will only be written to physical memory. (Default)
cf dmwrop=thru	A data memory write to an address that is valid in the data cache will write to both cache and physical memory. If the address is not valid in the cache, only physical memory will be modified.
cf dmwrop=bypass	A data memory write will only be written to physical memory, ignoring the cache.

The cf dmwrop=bypass setting should be used with extreme caution because dirty cache entries may be written by the processor over the new data value

written to memory by the emulation probe.

To configure instruction memory write operations (PowerPC 400, 603e, 603ev, 603e2, 603P, 603ec, 603R, 740, 750, 750M, 740P, 750P)

Although the PowerPC processor has one contiguous physical memory address space that can hold both data and instructions, it has separate caches for instructions and data. These separate caches must be considered in order to keep the caches and memory coherent during memory write operations.

These settings are only used for instruction memory write operations. Code download always writes to physical memory and disables any cache entries containing addresses written for improved performance. Some host interfaces use the code download mode for all memory write operations so this setting may or may not have any effect on your debugger.

Only the memory write command allows specifying instruction or data memory operations. Access to this may not be provided by your debugger interface. If not specified, memory write operations are always instruction memory.

If the instruction and data caches are both disabled, an instruction memory write will always write to physical memory and this configuration setting is ignored. If the instruction cache is disabled, instruction memory writes will always write to physical memory and the data cache will be either updated or bypassed, depending on this configuration setting.

This configuration setting controls the behavior of both caches when doing instruction memory writes so that instruction memory writes can be used for all memory operations, if desired.

Configuration items**Instruction Memory Write Configuration**

Command	Emulation Probe configured for
cf imwrop=upd_dcb	This stands for instruction cache update, data cache bypass. An instruction memory write to an address that is valid in the instruction cache will write the value to both the instruction cache and memory. The data cache will be bypassed even if the address is valid in the data cache.
cf imwrop=upd_dcu	This stands for update instruction cache and update data cache. An instruction memory write to an address that is valid in both caches will write the value to both caches and physical memory. (Default)
imwrop=inv_dcb	This stands for instruction cache invalidate and data cache bypass. An instruction memory write will invalidate the instruction cache if valid and write only to physical memory. The data cache is not modified even if valid.
imwrop=inv_dcu	This stands for instruction cache invalidate and data cache update. An instruction memory write will invalidate the instruction cache if valid and write to physical memory. The data cache will also be updated if the address is valid in the data cache.

To set the memory read delay clock cycles (PowerPC 603ei, 745, 755)

The memory read delay is provided for accessing slow devices like memory mapped I/O.

The memory read delay delays all memory reads the amount of time calculated using parameters entered by the user. The user specifies the core clock frequency. The user adjusts the delay with the number of clock cycles entered.

The number of clock cycles should be set to the smallest number possible for best performance since it delays all memory reads by the amount of time calculated.

Memory Read Delay Clock Cycles

Command

```
cf mrddelcyc= <clock cycles> @ <core clock speed>
```

Example: cf mrddelcyc=300@400

This delays all reads 750 ns (300 cycles at 400 MHz).

Values

0-4 000 000 000 clock cycles @ 100-700 MHz core clock speed.
(Default = no delay)

Configuration items

To set the memory read delay time
(PowerPC 603e, 603ev, 603e2, 603P, 603ec, 603R, 740,
750, 750M, 740P, 750P)

The memory read delay setting delays the number of microseconds specified during memory reads. It is provided for accessing slow devices like memory mapped I/O.

The delay should be set to the smallest number possible for best performance since it delays all reads by the number of microseconds specified.

Memory Read Delay Time

Command

`cf mrddel= <delay in microseconds>`

Example: `cf mrddel=100` (creates 100 μ sec delay).

Values

0-10 000 000 (**Default = no delay**)

To set the memory write delay clock cycles (PowerPC 603ei, 745, 755)

The memory write delay is provided for accessing slow devices like memory mapped IO.

The memory write delay delays all memory writes the amount of time calculated using parameters entered by the user. The user specifies the core clock frequency. The user adjusts the delay with the number of clock cycles entered.

The number of clock cycles should be set to the smallest number possible for best performance since it delays all memory writes by the amount of time calculated.

Memory Write Delay Clock Cycles

Command

`cf mwrdelcyc= <clock cycles> @ <core clock speed>`

Example: `cf mwrdelcyc=300@400`

This delays all writes 750 ns (300 cycles, at 400 MHz).

Value

0-4 000 000 000 clock cycles @ 100-700 MHz core clock speed.
(Default = no delay)

Configuration items

**To set memory write delay time
(PowerPC 603e, 603ev, 603e2, 603P, 603ec, 603R, 740,
750, 750M, 740P, 750P)**

The memory write delay setting delays the number of microseconds specified during memory writes. It is provided for accessing slow devices like memory mapped I/O.

The delay should be set to the smallest number possible for best performance since it delays all writes by the number of microseconds specified.

Memory Write Delay Time

Command

`cf mwrdel= <delay in microseconds>`

Example: `cf mwrdel=100` (creates 100 μ sec delay).

Values

0-10 000 000 (**Default = no delay**)

To configure address translation (PowerPC 603e, 603ei, 603ev, 603e2, 603P, 603ec, 603R, all 7XX)

You can enable or disable address translation in the emulation probe.

Address translation configuration

Command	Meaning
cf address=effective	If the MMU is enabled, addresses are verified for proper translation and the corresponding physical address is used instead. (Default)
cf address=physical	Physical addresses are used, even if the MMU is enabled.

When the MMU is enabled (MSR[IR] or MSR[DR] is set), and the emulation probe is configured for effective addresses, all memory addresses given to the emulation probe are assumed to be effective addresses (logical addresses). The emulation probe uses the MMU block address translation (BAT) registers, segment registers, hash tables, and other special-purpose MMU registers to compute each corresponding physical address. The requested memory operation is then performed using the physical address.

Operational notes:

- The emulation probe attempts to perform address translation only if the MSR[IR] and/or the MSR[DR] bits are set (=1) AND the emulation probe is configured to do translation (**cf address=effective**).
- If both the MSR[IR] and MSR[DR] are set, the emulation probe will perform address translations by first searching the IBAT registers and then the DBAT registers. Note that the PowerPC silicon allows the IBAT and DBAT registers to specify overlapping effective address ranges. Avoid defining overlapping ranges. These make debugging more difficult because the emulation probe can use the IBATs to translate addresses intended for the DBATs.
- If an effective address is not found in the MMU translation tables, the emulation probe will return an error and will not perform the requested operation.
- Cache coherency is maintained during emulation probe MMU translations.

Configuration items

- Be sure the translation enable/disable condition is the same when you set and clear breakpoints. If a breakpoint is set while translation is enabled and then cleared while translation is disabled, the result will be erroneous and unpredictable. This is also true if a breakpoint is set while translation is disabled and then cleared while translation is enabled.
- The emulation probe ignores read-only restrictions defined in the MMU. (In other words, the emulation probe may attempt to write to memory that has been defined by the MMU as read-only.)
- MMU translation is automatic and transparent to debuggers connected to the emulation probe.

To configure checkstop status (PowerPC 603ei, 745, 755)

The checkstop signal ($\overline{\text{CSTP_OUT}}$ on pin 15 of the JTAG connector) can be used to detect a checkstop condition.

Checkstop configuration

Command	Meaning
cf checkstop=off	The signal is not polled. (Default)
cf checkstop=on	The checkstop signal is used to detect a checkstop condition. If a checkstop condition is detected, a prompt of "c>" is returned on the command line.

To configure the Break In SMB port (All processors)

If you have an emulation probe, but you do not have an emulation module, use the following table to configure the behavior of the Break In SMB connector on the front of the emulation probe.

When the emulation probe is connected to an emulation module via the module/probe interconnect cable, this configuration item is always set to **rising** for compatibility with intermodule triggering.

If you need to break on a falling edge, either trigger from the logic analysis system or use the emulation probe without the emulation module.

Break In Configuration

Command	Emulation probe Break In
cf breakin=rising	The emulation probe will cause a break into monitor on a rising edge. (Default)
cf breakin=falling	The emulation probe will cause a break into monitor on a falling edge.
cf breakin=off	Inputs to Break In will be ignored.

There is a delay of about 400 μ sec between receiving the edge and stopping the processor.

Configuration items

To configure the Trigger Out SMB port (All processors)

If you have an emulation probe, but you do not have an emulation module, use the following table to configure the behavior of the Trigger Out SMB connector on the front of the emulation probe.

If you have an emulation module, the trigger out behavior is always set to **monhigh** for compatibility with intermodule triggering.

Trigger Out Configuration

Command	Emulation probe Trigger Out will be
cf trigout=monhigh	Logic high when the processor is running in background. (Default)
cf trigout=monlow	Logic low when the processor is running in background.
cf trigout=fixhigh	Fixed logic high.
cf trigout=fixlow	Fixed logic low.

To configure the voltage reference (All processors)

The emulation probe uses the Vref signal on the JTAG connector to determine logic high and logic low levels when driving the TDI and TCK signals.

Voltage Reference Configuration

Command	Meaning
<code>cf vref=external</code>	The voltage reference is generated by sensing the voltage present at pin 6 (the +POWER pin) of the JTAG header on the target system. (Default)
<code>cf vref=<i>value</i></code>	The voltage reference of <i>value</i> is generated internally by the emulation probe. The <i>value</i> is a number followed by either mV, which indicates the value is in millivolts, or V, which indicates the value is in volts.

CAUTION:

This option should only be used if the core voltage is different than that of the Vref (+POWER) signal on the JTAG connector. Use this option with extreme care, because it is possible to damage the target system if the voltage level is chosen incorrectly.

Configuration items

To configure the voltage threshold (All processors)

Threshold for voltage reference. Voltages above ($V_{ref} \cdot thresh$) will be considered logic high and voltages below this level will be considered logic low.

Voltage Threshold configuration

Command	Meaning
cf thresh=1/2	Threshold voltage is set to 50% of Vref. (Default)
cf thresh=2/3	Threshold voltage is set to 67% of Vref.
cf thresh=1/3	Threshold voltage is set to 33% of Vref.

To configure 32-bit mode (All processors except PowerPC 4XX)

You can enable or disable 32-bit mode.

32-bit mode configuration

Command	Meaning
cf 32bitmode=off	Normal, 64-bit mode. (Default)
cf 32bitmode=on	The maximum memory access size is forced to 32 bits. Do not enable this option unless it is specifically supported by your target system.

To enable or disable data parity (PowerPC 603e, 603ev, 603e2, 603P, 603ec, 603R, 740, 750, 750M, 740P, 750P)

The PowerPC processor generates parity bits on both address and data lines when running user code. When used in debug mode these bits must be generated separately, which slows down memory operations. Since memory operations on the PowerPC are already slow and many target systems do not check parity, the default for this configuration item is "off."

Parity configuration

Command	Emulation probe configured for
cf parity=off	Do not generate the parity bits for memory operations from the emulation probe. This provides better performance, but will not work correctly when accessing devices that check the parity bits. (Default)
cf parity=on	Generate the parity bits for memory operations. Currently, only parity bits for the memory data lines are generated. Parity bits on the address lines are not. This may change in future firmware versions.

To enable or disable processor caches

The PowerPC 7XX processors have instruction and data caches. Debugging using a third party debugger will have the greatest performance if the caches are disabled during debugging. There are three ways to disable the caches prior to a debug session:

- Clear bits HID0[ICE] and HID0[DCE]. This will turn off the instruction and data caches. Also turn off the L2 Cache, by setting L2CR to zero.

Ensure that your startup code does not reset the HID0 or L2CR registers because this could re-enable the caches.

- (PowerPC 740/750 Only) Issue the following probe commands:
"cf reset=rom"
"rst" ("rst" will turn off all caches)

Ensure that your startup code does not reset the HID0 register after the "rst" command because this could re-enable the caches.

- (PowerPC 740/750 Only) Keep the caches enabled but tell the emulation probe to bypass them. To do this, issue the probe commands:

"cf mrdop=phys" (so only physical memory is read)
"cf dmwrop=bypass" (to bypass the updating of the data cache) reference
all addresses with the @dmem modifier.

Example

```
M> cf mrdop=phys
M> cf dmwrop=bypass
M> m -d4 -a4 0..          (this will read physical memory only)
M> m -d4 -a4 0@dmem=12345678 (this will write physical memory only)
```

When caches are bypassed, all memory accesses occur out of physical memory and the cache information is ignored. **This means that cache coherency is not maintained.**

If cache handling is not modified using one of the above three methods, execution with the third party debugger may be slower due to the emulation probe making sure the cache information stays coherent with physical memory.

To enable or disable processor caches

PowerPC 6XX and 7XX processors have instruction and data caches. Debugging using a third party debugger will have the greatest performance if the caches are disabled during debugging.

To turn off the caches clear bits HID0[ICE] and HID0[DCE]. This will turn off the instruction and data caches. You may need to ensure that your start up code does not enable the caches.

You may also debug with the caches enabled. To achieve maximum performance you should disable and invalidate the caches while downloading a program. You can do this by setting bits HID0[ICFI] and HID0[DCFI]. After downloading a program you may want to enable the caches by setting bits HID0[ICE] and HID0[DCE].

Performance will be slower when debugging with the caches enabled due to the emulation probe making sure the cache information stays coherent with the physical memory.

In addition, PowerPC 750/755 processors have L2 cache. Set L2CR=0 to disable the L2 cache to achieve the fastest performance when debugging.

To invalidate the L2 cache, set L2CR[L2I]. Refer to the processor user's guide for instructions on enabling the L2 cache.

PowerPC 4XX processors have instruction and data caches. Refer to the processor user's guide for instructions on enabling and disabling caches. The debugger software will run fastest when caches are disabled.

To enable or disable processor caches

Using the Emulation Probe

Using the Emulation Probe

The emulation probe can be controlled through the following interfaces:

- A third-party debugger. This is the most practical interface to use with the emulation probe. See page 83.
- The emulation control interface of an Agilent Technologies 16700-series logic analysis system. See page 85 or 86.
- The emulation probe's command line interface. This low-level interface is generally used only for troubleshooting. See page 112.

Before you can use the Emulation Probe you must:

- 1** Connect the emulation probe to a LAN. See “Connecting the Emulation Probe to a LAN” on page 37.
- 2** Connect the emulation probe to your target system. See “To connect the emulation probe to the target system” on page 61.
- 3** Configure the emulation probe for your target system. See “Configuring the Emulation Probe” on page 69.
- 4** Confirm that the emulation probe is working with your target.

To confirm that the emulation probe can communicate with your target system, try a few simple commands using the emulation probe's command line interface. Instructions for using the command line interface are on page 157. You can read registers, read memory, or run a simple NOP loop. See page 151 and page 163 for examples.

If the emulation probe can not control the target system, see Chapter 12, “Troubleshooting the Emulation Probe,” beginning on page 147.

When using the emulation probe with a 16700-series logic analysis system, the display can be exported to a web browser, a workstation, or a personal computer (PC).

Using the Emulation Probe with a Debugger

Several prominent companies design and sell state-of-the-art source debuggers that work with Agilent emulation modules and emulation probes.

Benefits of using a debugger

The debugger will enable you to control the execution of your processor from the familiar environment of your debugger. Using a debugger lets you step through your code at the source-code level.

With a debugger connection, you can set breakpoints, single-step through source code, examine variables, and modify source code variables from the debugger interface. The debugger can also be used to download executable code to your target system.

Using a debugger to connect to the emulation probe allows the entire design team to have a consistent interface from software development to hardware/software integration.

Debugger interfaces must be ordered directly from the debugger vendor.

Compatibility with other logic analysis system tools

You can use your logic analysis system to collect and analyze trace data while you use your debugger. You can use a web browser to display the logic analyzer windows right next to your debugger.

Minimum requirements

To use a debugger with the emulation probe, you will need:

- A debugger which is compatible with the emulation probe
- A LAN connection to the PC or workstation that is running the debugger. See Chapter 4, “Connecting the Emulation Probe to a LAN,” beginning on page 37.
- A web browser or X windows or an X terminal emulator, such as Reflection X on a PC. This is required only if you wish to have the logic analysis system user interface displayed on your PC or workstation screen, along with the debugger.

Is your debugger compatible with the emulation probe?

Ask your debugger vendor whether the debugger can be used with an Agilent emulation module or emulation probe.

Compatibility with the Emulation Control Interface

CAUTION:

Do not use the Emulation Control Interface at the same time as a debugger. The Emulation Control Interface and debuggers do not keep track of commands issued by other tools. If you use both at the same time, the tools may display incorrect information about the state of the processor, possibly resulting in lost data.

Connecting to an Emulation Module

If you are using an E5901B emulation module, configure your debugger to use the IP address of the E5900B emulation probe, not the logic analysis system.

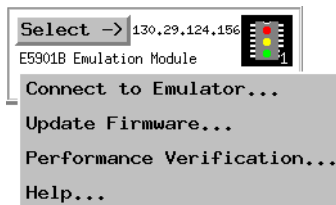
You may need to tell the debugger which port number to use. The default port number for a debugger connection is 6470.

Do not use the Emulation Control Interface at the same time as a debugger.

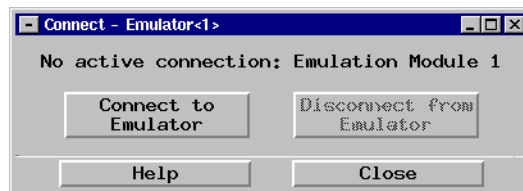
Using the emulation probe with a 16700-series logic analysis system via an emulation module

The following instructions explain how to control the emulation probe through an Agilent 16700-series logic analysis system which has an emulation module installed.

- 1 Select the emulation module icon in the **System** window.
- 2 Select **Connect to Emulator...** from the menu choices.



- 3 Select the **Connect to Emulator** button.



- 4 The emulation **Run Control** window will appear, which lets you use the Emulation Control Interface.



Using the emulation probe with a 16700-series logic analysis system via a LAN connection

Using the emulation probe with a 16700-series logic analysis system via a LAN connection

The following instructions explain how to use the emulation probe via a LAN connection to an Agilent 16700-series logic analysis system.

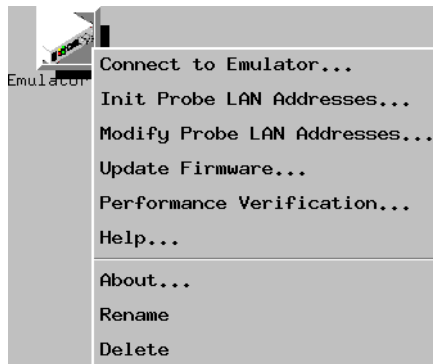
- 1 Select the emulation probe icon in the **Workspace** window.



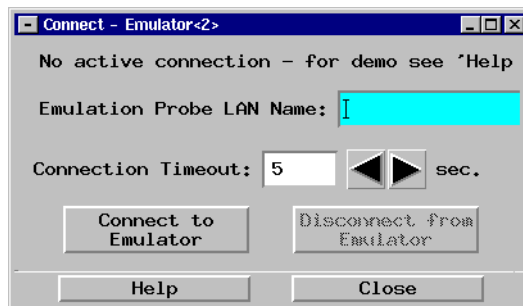
NOTE:

Use the scroll bar on the left side of the window to locate this icon.

- 2 Select **Connect to Emulator...** from the menu choices.



- 3 Enter the emulation probe's LAN name or IP address and select the **Connect to Emulator** button.



Using the emulation probe with a 16700-series logic analysis system via a LAN connection

- 4 The emulation Run Control window will appear.



Using the Emulation Probe Command Line Interface

The emulation probe has some built-in commands (also called the “terminal interface”) that you can use for troubleshooting, or to verify that you can communicate with the emulation probe. See “To use the built-in commands” on page 157.

You can enter the built-in commands using:

- A telnet (LAN) connection (see page 88).
- The Command Line window in the Emulation Control Interface of a logic analysis system (see page 89).
- A "command window" in your debugger (see your debugger software instructions).
- A serial connection (see page 42).

Establishing a telnet connection to the emulation probe prior to using the command line interface

You can establish a telnet connection to the emulation probe if:

- A host computer and the probe are both connected to a local-area network (LAN), and
- The host computer has the telnet program (often part of the operating system or an internet software package).

To establish a telnet connection:

- 1** Find out the LAN address or LAN name of the emulation probe.
- 2** Start the telnet program.

If the LAN name of the emulation probe is “test2”, the command might look like this:

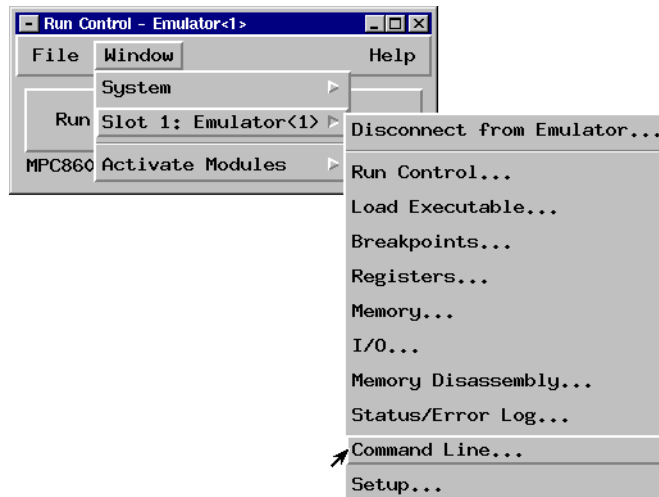
```
telnet test2
```

- 3** If you do not see a prompt, press the <Return> key a few times.

To exit from this telnet session, type <CTRL>D at the prompt.

Using the command line interface from the logic analysis system

- 1 Connect to the emulator. See “Using the Emulation Probe” on page 81 for step-by-step instructions.
- 2 From the Run Control menu bar select *Window*, then select the emulator, and select *Command Line...*



- 3 The command line window will be displayed. You can enter commands in the “Command Input” field of the Command Line window.

Exporting the Logic Analysis System's Display

The Agilent 16700-series logic analysis system's display can be exported to:

- A web browser
 - A workstation
 - A personal computer
-

To export the logic analysis system's display to a web browser

You can export the display of an Agilent 16700-series logic analysis system to your PC or workstation using a web browser. See the online help in your logic analysis system for more information.

To export the logic analysis system's display to a UNIX workstation

By exporting the logic analyzer's display, you can see and use the logic analysis system's windows on the screen of your workstation. To do this, you must have telnet software and X window installed on your computer.

- 1** On the workstation, add the host name of the logic analysis system to the list of systems allowed to make connections:

```
xhost +<IP_address>
```

- 2** Use telnet to connect to the logic analysis system.

```
telnet <IP_address>
```

- 3** Log in as "logic".

The logic analysis system will open a Session Manager window on your display.

- 4** In the Session Manager window, select **Start Session on This Display**.
-

Example

On a UNIX workstation, you could use the following commands to export the display of a logic analysis system named “mylogic”:

```
$ xhost +mylogic
$ telnet mylogic
Trying...
Connected to mylogic.mycompany.com.
Escape character is '^]'.
Local flow control on
Telnet TERMINAL-SPEED option ON

Agilent Logic Analysis System
Please Log in as: logic [displayname:0]
login: logic
Connection closed by foreign host.
```

To export the logic analysis system's display to a PC

By exporting the logic analyzer's display, you can see and use the logic analysis system's windows on the screen of your PC. To do this, you must have telnet software and an X terminal emulator installed on your computer. The following instructions use the Reflection X emulator from WRQ, running on Windows 95, as an example.

- 1 On the PC, start the X terminal emulator software.

To start Reflection X, select the Reflection X Client Startup icon.

- 2 Start a telnet connection to the logic analysis system.

Log in as “logic”.

For Reflection X, enter the following values in the Reflection X Client Startup dialog:

- a In the Host field, enter the LAN name or IP address of the logic analysis system.
- b In the **User Name** field, enter “logic”.
- c Leave the **Password** field blank.
- d Leave the **Command** field blank.
- e Select **Run** to start the connection.

The logic analysis system will open a Session Manager window on your display.

Chapter 8: Using the Emulation Probe
Exporting the Logic Analysis System's Display

- 3 In the Session Manager window, select **Start Session on This Display**.

Testing Target System Memory

Two ways to run the memory tests

Many times when a system under test fails to operate as expected, you will need to determine whether the failure is in the hardware or the software. These tests verify operation of the memory hardware in the system under test.

Two ways to run the memory tests

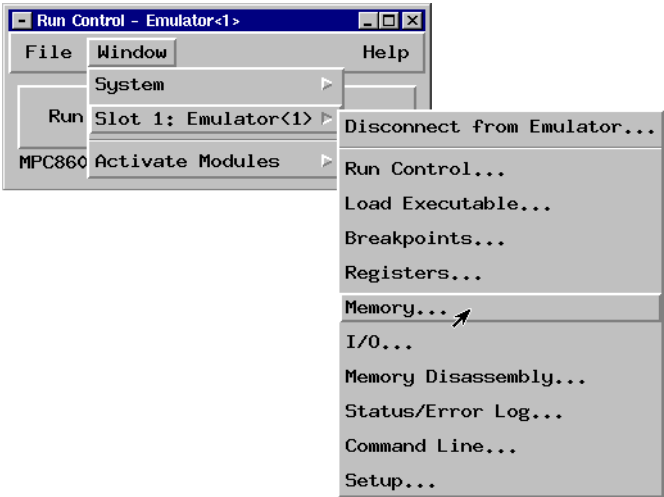
There are two methods for accessing and running the emulation probe's built-in memory tests:

- Through the Emulation Control Interface of a 16700-series logic analysis system
- Using a command line interface (also called terminal interface)

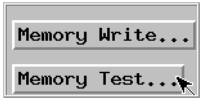
You can use the command line interface through a terminal emulator or through a command window in your debugger.

Using the memory tests with an Agilent 16700 logic analysis system

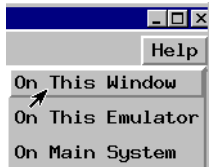
- 1 Connect to the emulator. See “Using the Emulation Probe” on page 82 for step-by-step instructions.
- 2 From the menu bar select **Window**, then select the emulator, and select **Memory...**



- 3 Select the **Memory Test..** button and set up the test in the window that appears.



- 4 Select the test type and set the parameters in the window that appears.
- 5 For help using the memory tests select **Help** from the menu bar, then select **On This Window**.



Using the memory tests from a command line interface

You can use the memory tests from a command line interface via a telnet session or via the emulator command window of your debugger. You can initiate a telnet connection by issuing a telnet to the emulation probe's IP address from a terminal window.

See Chapter 4, "Connecting the Emulation Probe to a LAN," beginning on page 37 for instructions on making a connection to the emulation probe which will allow you to access the emulation probe via a command line interface.

For general memory test syntax information, enter the following command at the emulation probe command line interface:

help mtest

This will display the following help dialog:

```
mtest - memory test      General Help:

mtest bp [-a1/2/4/8] [-v1-4] [-r1] <start>[..<end>]=<pattern> - basic pattern
mtest ap [-a1/2/4/8] [-v1-4] [-r1] <start>[..<end>] - address pattern
mtest rp [-a1/2/4/8] [-v1-4] [-r1] <start>[..<end>]=<pattern> - rotate pattern
mtest w1 [-a1/2/4/8] [-v1-4] [-r1] <start>[..<end>] - walking ones
mtest w0 [-a1/2/4/8] [-v1-4] [-r1] <start>[..<end>] - walking zeros
mtest or [-a1/2/4/8] [-v1-4] [-r0] <start>[..<end>] - oscilloscope read
mtest ow [-a1/2/4/8] [-v1-4] [-r0] <start>[..<end>]=<pattern> - osc. write
mtest sm - summary command

Syntax Parameters:
-a      memory access size (1,2,4,8 bytes)
-v      verbosity level (level of detail of output)
        -v1 prints end summary only
        -v2 prints status at the end of each repetition
        -v3 prints status at the end of each rep. and up to 10 errors
        -v4 prints status at the end of each rep. and all errors.
-r      number of repetitions to be executed
<start>      memory test start address
<end>       memory test end address
<pattern>    pattern to be written to memory

The following applies to the oscilloscope tests:
Default repetitions is -r0 (repeat forever).
Default verbosity is -v1.
Default access size is provided by mo.

The following applies to all other tests:
Maximum value for repetitions is 10,000.
Default verbosity is -v3.
Default access size is provided by mo.

For more details type '? mtest <test>'
```


Memory Test Patterns

You can use the memory test feature of the emulation probe to perform seven different types of tests. Use these tests to find problems in address lines, data lines, and data storage. Use these tests in combination because no single test can perform a complete evaluation of the target system memory.

The emulation probe provides the following memory tests:

- Basic Pattern - to validate data read-write lines.
- Address Pattern - to validate address read-write lines.
- Rotate Pattern - to validate data read-write lines, and test voltage and ground bounce.
- Walking Ones - to validate individual storage bits in memory.
- Walking Zeros - to validate individual storage bits in memory.
- Oscilloscope Read - to generate the signals associated with reading from memory so they can be viewed on an oscilloscope.
- Oscilloscope Write - to generate the signals associated with writing to memory so they can be viewed on an oscilloscope.

Recommended Test Procedure

Two types of tests are offered for testing target memory: oscilloscope tests, and memory functionality tests.

Oscilloscope Tests

1. Connect the oscilloscope to view activity on the bits of interest.
2. Start an Oscilloscope Read (see page 108) or Oscilloscope Write (see page 109) test, as desired.

The test activity will be written onto the bits you specified continuously until you cancel the test.

Use both the Oscilloscope Read test and the Oscilloscope Write test to thoroughly check the connections of interest.

Memory Functionality Tests

1. Run the Basic Pattern (see page 99) test on the entire Memory Range.
Result:
 - No Problems. Perform the Address Pattern (see page 102) test next.
 - Problems found. Refer to “If problems were found by the Basic Pattern test” on page 100.
2. Run the Address Pattern (see page 102) test on the entire Memory Range.

Result:

- No Problems.
- Problems found. Refer to “If problems were found by the Address Pattern test” on page 103.

If no problems were found by the Basic Pattern test and the Address Pattern test above, you can ignore the rest of the tests. The memory in your system has been tested thoroughly and it is good.

Basic Pattern test

The Basic Pattern test finds data bits in the specified memory range that are stuck high or low. It also detects data lines that may be tied to power, ground, or not connected at all.

How the Basic Pattern test works

This test writes the *Pattern* and the complement of the *Pattern* to the *Memory Range*, and then compares the values in memory with what was written. The complement of the *Pattern* and then the *Pattern* are then written, read, and compared.

Example:

Entering the command

```
mtest bp -a4 -v1 -r2 20000000..2000000f=55555555
```

will produce the following memory writes and reads:

	First Write/Read	Second Write/Read
20000000	55555555	AAAAAAAA
20000008	AAAAAAAA	55555555

If no errors were found, the following output would appear on your screen:

```
M>mtest bp -a4 -v1 -r2 20000000..2000000f=55555555  

Starting: Basic Pattern Test  

Completed: Basic Pattern Test  

Summary: 2 - PASSED
```

Instructions for using the Basic Pattern test

For help about performing a specific memory test using the Agilent 16700-series logic analysis system, see page 95.

To use the Basic Pattern test from the command line interface, enter **mtest bp <parameters>**. To see a list of the required parameters, enter **? mtest bp**.

For general instructions on using the command line interface see page 88.

Interpreting Basic Pattern test results

Consistent errors such as a particular bit incorrect every four bytes typically indicate a problem with the data lines. Random or sparse errors may indicate hardware data memory errors—check individual locations with the Walking Ones and Walking Zeros tests.

This test will halt and generate an error message if your Memory Range specification causes this test to be performed outside the range of valid memory in your target system.

This test will not halt but it will generate an error message if it is run on ROM or on locations with data line or location errors.

You can open a memory window on your logic analyzer to view the memory content. Expect to see the pattern and the complement of the pattern that was specified.

This test will not always detect errors in the address lines. For example, if a bit in the address lines is stuck high or low, the Pattern Test will write to a different location in memory. Then the read from memory for comparison will also be made from that different location so the data will be correct. Use the Address Pattern test with this test to completely evaluate the memory range.

If problems were found by the Basic Pattern test

Below are two examples of problems found by the Basic Pattern test.

Example 1: Consistent error

```
Starting: Basic Pattern Test
Error: 1 at address 00000200:
  Read      5557  (0101 0101 0101 0111)
  Expected  5555  (0101 0101 0101 0101)
Error: 2 at address 00000204:
  Read      5557  (0101 0101 0101 0111)
  Expected  5555  (0101 0101 0101 0101)
Error: 3 at address 00000208:
  Read      5557  (0101 0101 0101 0111)
  Expected  5555  (0101 0101 0101 0101)
Error: ...
  Read      ...
  Expected  ...
```

Assume the data line bit associated with the error is stuck high. This could happen if the suspected data line bit were soldered to power.

For an additional test of suspected memory, perform the Walking Ones (see page 106) and Walking Zeros (see page 107) tests on the problem memory range.

Example 2: Random errors

```
Starting: Basic Pattern Test
Error: 1 at address 00000200:
  Read      8000  (1000 0000 0000 0000)
  Expected  0000  (0000 0000 0000 0000)
Error: 2 at address 000004a2:
  Read      efff  (1110 1111 1111 1111)
  Expected  ffff  (1111 1111 1111 1111)
Repetition: 1 - FAILED found 2 errors
Completed: Basic Pattern Test
Summary: 1 of 1 - FAILED (2 errors total)
```

From the above listing, we assume there are two location errors in memory. At location 200, there is a bit stuck high. At location 4a0, there is bit stuck low. Use the Walking Ones and Walking Zeros tests to verify the errors.

There is one bit stuck high at location 200 so the Walking Zeros test will print one error message when it tests this location. Use the Walking Ones test to isolate the bit that is stuck low at location 4a0. Again, this will print only one error message.

Address Pattern test

This test verifies that the address lines of the selected memory range are without error.

How the Address Pattern test works

This test writes the address of each memory location as data to each location. The data is then read back to see if it matches the address.

The pattern written to the memory is generated at the start of the test and is dependent upon the start address, access size, and the number of bytes in the memory range.

Depending on the last *Access Size* selected, subsets of the addresses may be written to memory.

Example:

If the last access size was 1 byte, address 00000001 will have 01 written to it, and address 00000002 will have 02 written to it.

The data written in address 00001000 will look like this, depending on the last *Access Size*.

```

1 Byte = 00001000  00 01 02 03 04 05 06 07 08 09 0a 0b 0c 0d 0e 0f
2 Byte = 00001000  1000 1002 1004 1006 1008 100a 100c 100e
4 Byte = 00001000  00001000 00001004 00001008 0000100c
8 Byte = 00001000  0000000000001000 0000000000001008

```

The upper four bytes of an 8 Byte access size are not tested for a 4 Byte address. The upper four bytes will always be zeros. Use a smaller access size to test these locations with the Address Pattern test.

Unless the access size is 1 Byte, the odd bits of the memory locations will not be tested. Use the Basic Pattern test to check the odd bits.

Instructions for using the Address Pattern test

For help about performing a specific memory test using the Agilent 16700-series logic analysis system, see page 95.

To use the Address Pattern test from the command line interface, enter **mtest ap <parameters>**. To see a list of the required parameters, enter

? mtest ap.

For general instructions on using the command line interface see page 88.

Interpreting Address Pattern test results

This test does not ensure that the data lines or individual data locations are without error. If a bit is stuck in a memory location, but is stuck in the written value, the stuck bit will not be detected.

You can view the memory in an analyzer memory window of a 16700-series logic analysis system by selecting **Window <emulator> Memory...** Enter ? m at the command line prompt for help viewing memory using a terminal interface. You should see direct correlation between each address and the data stored at that address.

Consistent errors typically indicate problems in the address lines. This is especially likely if the results of the Basic Pattern test were without errors.

Errors in specific memory locations may indicate errors in the memory hardware instead of the address lines.

If problems were found by the Address Pattern test

You may see no errors in the Basic Pattern test, but errors in the Address Pattern test. For example, you might see the following result in the Address Pattern test:

Example:

```
Error: 1 at address 00000000:
  Read      0020  (0000 0000 0010 0000)
  Expected  0000  (0000 0000 0000 0000)
Error: 2 at address 00000002:
  Read      0022  (0000 0000 0010 0010)
  Expected  0002  (0000 0000 0000 0010)
```

You would see that the data stored at locations 00 through 0f is the data that should be at locations 20 through 2f. This indicates an address line problem. Address bit 5 must be stuck low because the addresses that should have been written to the range 20 through 2f were written instead to 00 through 0f.

Random errors typically do not indicate address line errors. Use the Walking Ones (see page 106) and Walking Zeros (see page 107) tests to check the locations of random errors.

Rotate Pattern test

The Rotate Pattern test finds data bits in memory that are stuck high or low. It also detects data lines that may be tied to power ground, or not connected at all. This test can be used to test voltage and ground bounce problems associated with the selected memory range.

How the Rotate Pattern test works

This test writes the *Pattern* and the complement of the *Pattern* to the *Memory Range*, and then compares the values in memory with what was written. Next, the rotated *Pattern* and the rotated complement of the *Pattern* are written, read, and compared. Now the *Pattern* is rotated again, and again it is written, read, and compared. This continues until the rotations of the pattern return it to its original arrangement. That constitutes one *Repetition* of the Rotate Pattern test.

Example:			
Address	First Write/Read	Second Write/Read	Third Write/Read
00000000	01	FE	02
00000001	FE	02	FD
00000002	02	FD	04
00000003	FD	04	FB
00000004	04	FB	08
00000005	FB	08	F7
00000006	08	F7	10
00000007	F7	10	EF
00000008	10	EF	20

Larger *Access Size* selections take more time because they require more patterns to be written to all locations (2-byte *Access Size* requires writing 32 patterns, and 4-byte *Access Size* requires writing 64 patterns).

The *Access Size* you select will affect the appearance of memory when you view memory after a test. When a test is complete, memory contains the last set of patterns that was written to it.

Example:

The following listing is from a Rotate Pattern test which was performed one time with an *Access Size* of 2 bytes, and an initial pattern of 0001.

What you see below is the 32nd set of patterns written to memory during the test.

```
00000000  7fff 0001 fffe 0002 fffd 0004 fffb 0008
00000010  fff7 0010 ffef 0020 ffd7 0040 fbf7 0080
00000020  ff7f 0100 feff 0200 fdff 0400 bfff 0800
00000030  f7ff 1000 efff 2000 dfff 4000 bfff 8000
00000040  7fff 0001 fffe 0002 fffd 0004 fffb 0008
00000050  fff7 0010 ffef 0020 ffd7 0040 fbf7 0080
00000060  ff7f 0100 feff 0200 fdff 0400 bfff 0800
00000070  f7ff 1000 efff 2000 dfff 4000 bfff 8000
```

Instructions for using the Rotate Pattern test

Since the Rotate Pattern test is designed to rotate a single bit through memory, it is generally best to use a pattern such as 01, 0001, or 00000001.

For help about performing a specific memory test using the Agilent 16700-series logic analysis system, see page 95.

To use the Rotate Pattern test from the command line interface, enter **mtest rp <parameters>**. To see a list of the required parameters, enter **? mtest rp**.

For general instructions on using the command line interface see page 88.

Interpreting Rotate Pattern test results

You can open a memory window on your logic analyzer to view the memory content. Expect to see the pattern and the complement of the pattern that was specified.

Consistent errors such as a particular bit incorrect every four bytes typically indicate a problem with the data lines. Random or sparse errors may indicate hardware data memory errors—check individual locations with the Walking Ones and Walking Zeros tests.

This test will halt and generate an error message if your Memory Range specification causes this test to be performed outside the range of valid memory in your target system.

Memory Test Patterns

This test will not halt but it will generate an error message if it is run on ROM or on locations with data line or location errors.

Walking Ones test**How the Walking Ones test works**

The Walking Ones test finds data bits stuck in logical "0". This test cycles "1" through each bit position in memory, and checks results. It does this by writing and then reading a pattern sequence of ones and zeros from all memory locations in the range.

Example:

The hexadecimal values 01, 02, 04, ... are written to each location in the *Memory Range*.

Address	1st	2nd	3rd	4th	5th	6th	7th	8th
00000000	01	02	04	08	10	20	40	80
00000001	02	04	08	10	20	40	80	01
00000002	04	08	10	20	40	80	01	02
00000003	08	10	20	40	80	01	02	04
00000004	10	20	40	80	01	02	04	08

1st, 2nd, 3rd, etc. are the first, second, third, etc. complete passes through the memory.

Larger *Access Size* selections take more time because they require more patterns to be written to all locations (2-byte *Access Size* requires writing 16 patterns, and 4-byte *Access Size* requires writing 32 patterns).

Example:

2-byte Access Size writing 16 patterns:

Address	1st	2nd	3rd	4th	5th	6th	7th	8th	9th	...	16th
00000000	0001	0002	0004	0008	0010	0020	0040	0080	0100	...	8000
00000001	0002	0004	0008	0010	0020	0040	0080	0100	0200	...	0001
00000002	0004	0008	0010	0020	0040	0080	0100	0200	0400	...	0002
00000003	0008	0010	0020	0040	0080	0100	0200	0400	0800	...	0004
00000004	0010	0020	0040	0080	0100	0200	0400	0800	1000	...	0008

Instructions for using the Walking Ones test

For help about performing a specific memory test using the Agilent 16700-

series logic analysis system, see page 95.

To use the Walking Ones test from the command line interface, enter **mtest w1 <parameters>**. To see a list of the required parameters, enter **? mtest w1**.

For general instructions on using the command line interface see page 88.

Walking Zeros test

The Walking Zeros test finds data bits stuck in logical "1".

How the Walking Zeros test works

This test cycles "0" through each bit position in memory, and checks results.

Example:

The hex values FE, FD, FB, ... are written to each location in the *Memory Range*.

Address	1st	2nd	3rd	4th	5th	6th	7th	8th
00000000	FE	FD	FB	F7	EF	DF	BF	7F
00000001	FD	FB	F7	EF	DF	BF	7F	FE
00000002	FB	F7	EF	DF	BF	7F	FE	FD
00000003	F7	EF	DF	BF	7F	FE	FD	FB
00000004	EF	DF	BF	7F	FE	FD	FB	F7

1st, 2nd, 3rd, etc. are the first, second, third complete pass through the memory.

Larger *Access Size* selections take more time because they require more patterns to be written to all locations (2-byte *Access Size* requires writing 16 patterns, and 4-byte *Access Size* requires writing 32 patterns).

Example:

2-byte Access Size writing 16 patterns:

Address	1st	2nd	3rd	4th	5th	6th	7th	8th	9th	...	16th
00000000	FFFE	FFFD	FFFB	FFF7	FFEF	FFDF	FFBF	FF7F	FEFF	...	7FFF
00000001	FFFD	FFFB	FFF7	FFEF	FFDF	FFBF	FF7F	FEFF	FDFD	...	FFFE
00000002	FFFB	FFF7	FFEF	FFDF	FFBF	FF7F	FEFF	FDFD	FBFF	...	FFFD
00000003	FFF7	FFEF	FFDF	FFBF	FF7F	FEFF	FDFD	FBFF	F7FF	...	FFFB
00000004	FFEF	FFDF	FFBF	FF7F	FEFF	FDFD	FBFF	F7FF	EFFD	...	FFF7

Instructions for using the Walking Zeroes test

For help about performing a specific memory test using the Agilent 16700-series logic analysis system, see page 95.

To use the Walking Zeroes test from the command line interface, enter **mtest w0 <parameters>**. To see a list of the required parameters, enter **? mtest w0**.

For general instructions on using the command line interface see page 88.

Oscilloscope Read test

How the Oscilloscope Read test works

This test repetitively reads the present content from the *Memory Range* for the number of *Repetitions* specified, typically reads continuously until cancelled.

NOTE:

The Oscilloscope Read test does not print or store the data it has read. It is usually used to perform timing analysis on target system memory.

Instructions for using the Oscilloscope Read test

Connect your oscilloscope to view signals on the lines to be tested. These will be the signals generated to perform read transactions from the memory in your target system.

When you have finished using your oscilloscope to view the read-from-memory signals:

- If you are using a 16700 logic analysis system, select the *Cancel* button in the *Busy* dialog box.
- If you are using the command line interface, press Ctrl+C.

You will see an error message if your test attempts to read memory addresses outside the range of available memory.

For help about performing a specific memory test using the Agilent 16700-series logic analysis system, see page 95.

To use the Oscilloscope Read test from the command line interface, enter **mtest or <parameters>**. To see a list of the required parameters, enter **? mtest or help mtest**. For general instructions on using the command

line interface see page 88.

Oscilloscope Write test

How the Oscilloscope Write test works

This test repetitively writes your selected *Pattern* to the *Memory Range* for the number of *Repetitions* specified, typically continuously until cancelled.

If your pattern is larger than the access size, it will be truncated to fit. If your pattern is smaller than the access size, it will be zero-padded to fit.

This test does not generate error messages for unsuccessful write transactions, such as writes to ROM. This test is usually used to perform timing analysis on target system memory.

If desired, you can open a memory window in the logic analyzer and view the memory where the pattern was written. If the memory is ROM or if it contains errors, it may not contain the pattern that was written.

Instructions for using the Oscilloscope Write test

Connect your oscilloscope to view signals on the lines to be tested. These will be the signals generated to perform write transactions to the memory in your target system.

When you have finished using your oscilloscope to view the write-to-memory signals:

- If you are using a 16700 logic analysis system, select the *Cancel* button in the *Busy* dialog box.
- If you are using the command line interface, press Ctrl+C.

You will see an error message if your test attempts to write to memory addresses outside the range of available memory.

For help about performing a specific memory test using the Agilent 16700-series logic analysis system, see page 95.

To use the Oscilloscope Write test from the command line interface, enter **mtest ow <parameters>**. To see a list of the required parameters, enter **? mtest ow**.

For general instructions on using the command line interface see page 88.

Memory Test Patterns

Updating Firmware

Firmware gives your emulation probe a “personality” for a particular processor or processor family. When you update the firmware in your emulation probe a new driver is installed in the emulation probe. The driver determines how the emulation probe communicates with the target system.

Update the firmware in any one of the following situations:

- You need to change the processor compatibility (personality) of the emulation probe.
- You have an updated version of the firmware on CD-ROM.
- An error message was displayed indicating that the firmware must be updated.

The E5900B Option 060 emulation probe is factory-programmed with the E3477B firmware, which is compatible with the PowerPC 603e.

The E5900B Option 070 emulation probe is factory-programmed with the E3454A firmware, which is compatible with the PowerPC 740/750.

NOTE:

In this manual "PowerPC" is used to refer to both the IBM PPC family of PowerPC processors and the Motorola MPC family of PowerPC processors.

PowerPC 4XX/6XX/7XX Firmware Driver Compatibility

Processor Compatibility	Driver
PowerPC 401, 403GA, 403GB, 403GC, 403GCX, 405GP, 405CR, NPe405H, NPe405L, all 405xx, 440A4	E3495A
PowerPC 603e	E3477B
PowerPC 603ei	E3477i
PowerPC 603ev, 603e2, 603P, 603ec, 603R	E3479A
PowerPC 740, 750, 750M, 740P, 750P	E3454A
PowerPC 750CX, 750CXe	E3454G
PowerPC 745, 755	E3454B

For a complete list of processors supported by Agilent Technologies emulation probes, direct your web browser to:

http://www.cos.agilent.com/probe/processor_support.html

Updating Firmware When Operating With a Debugger

To display current firmware version information

- Use `telnet` to access the built-in "terminal interface" and use the `ver` command to view the version information for firmware currently in the emulation probe.

To update firmware from the web

To update the firmware, you must have access to the World Wide Web and a PC or a workstation connected to your emulation probe (through a LAN).

- 1 Download the new firmware from the World Wide Web site at:
<http://www.cos.agilent.com/probe>
- 2 Follow the instructions on the web site for installing the firmware.

To update firmware from a floppy disk

- Follow the instructions on the README file on the floppy disk.

The firmware can be installed using either a PC or a workstation which can read PC disks.

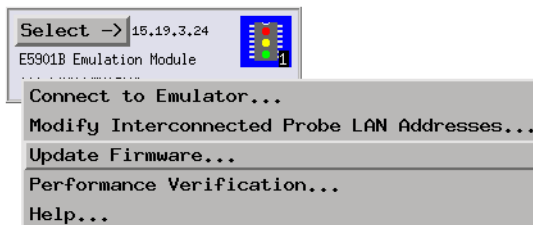
Updating Firmware With a Logic Analysis System

Always update firmware by installing a processor support package. This will ensure that the version of the Emulation Control Interface software is compatible with the version of the emulation probe firmware. Logic analysis system operating system CD-ROMS include the processor support packages; versions 1.51 and later will include firmware which is compatible with E5900B emulation probes.

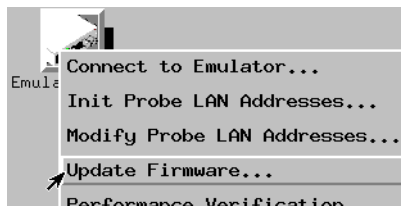
To display current firmware version information

- 1 Open the Update Firmware window.

For an emulation module: In the system window, select the emulation module and select **Update Firmware...**



For an emulation probe: In the Workspace window, drag the emulation probe icon onto the workspace then select **Update Firmware...**



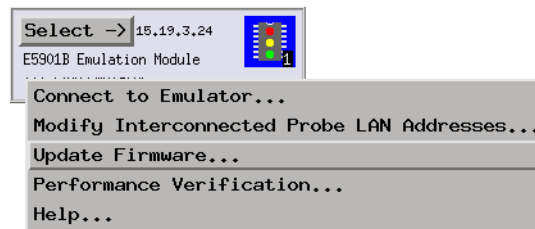
- 2 In the Update Firmware window, select **Display Current Version**.

There are usually two firmware version numbers: one for “Generics” and one for the personality of your processor.

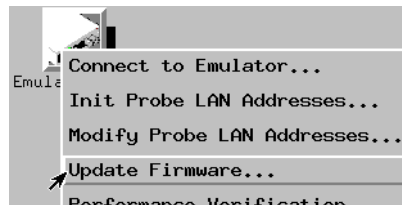
To update firmware using the Emulation Control Interface

- 1 End any run control sessions which may be running.
- 2 Install the processor support package from the CD-ROM. See page 62.
- 3 Open the Update Firmware window.

For an emulation module: In the system window, select the emulation module and select **Update Firmware...**



For an emulation probe: In the Workspace window, drag the emulation probe icon onto the workspace then select **Update Firmware...**



- 4 In the Update Firmware window, select the firmware to load into the emulation module.
- 5 Select **Update Firmware**.

In about 80 seconds, the firmware will be installed and the screen will update to show the current firmware version.

To update firmware for an emulation probe using the Setup Assistant

The Setup Assistant is an online tool for connecting and configuring your logic analysis system for microprocessor and bus analysis. The Setup Assistant is available on Agilent 16700-series logic analysis systems.

This menu-driven tool will guide you through the connection procedures for connecting the logic analyzer to an analysis probe, an emulation probe, or other supported equipment. It will also guide you through connecting an analysis probe to the target system.

- 1** Install the processor support package from the CD-ROM. See page 62.
- 2** Start the Setup Assistant by selecting its icon in the system window.



- 3** Follow the instructions displayed by the Setup Assistant.

Installing an Agilent E5902B
Emulation Migration Kit

This chapter shows you how to install an Agilent E5902B emulation migration so that you can use your emulation probe with a new processor family.

The E5902B emulation migration can be used with any E5900B emulation probe. It cannot be used with E5900A emulation probes.

Will I need to change the target board adapter?

A target board adapter is supplied with the emulation migration. Some target board adapters are compatible with more than one type of processor.

Use the table below to determine the part number of the target board adapter that you already have. Then use the table to determine the part number of the target board adapter for the processor type that you are migrating to. If the part numbers are the same, you don't need to change the target board adapter.

Processor Type	Use target board adapter	Emulation Migration P/N
MPC6XX	E8130-66503	Agilent E5902B Option 060
MPC7XX	E8130-66503	Agilent E5902B Option 070
MPC8XX	E8130-66508	Agilent E5902B Option 080
M•CORE	E8130-66515	Agilent E5902B Option 090
MPC82XX	E8130-66503	Agilent E5902B Option 100
MPC74XX	E8130-66503	Agilent E5902B Option 110
MIPS32/MIPS64	E8130-66516	Agilent E5902B Option 200
ARM7/ARM9	E8130-66504	Agilent E5902B Option 300

Steps 4 through 7 of the procedure that follows show how to replace the target board adapter.

If you don't need to replace the target board adapter, proceed to Chapter 10, "Updating Firmware," beginning on page 135.

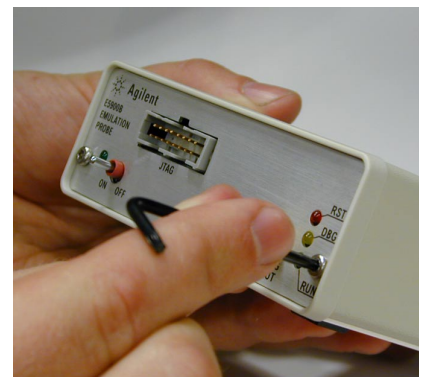
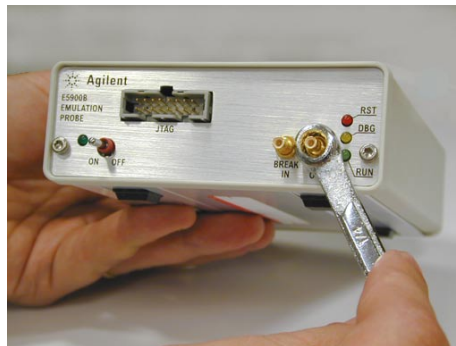
To install the emulation migration

CAUTION:

Electrostatic discharge can damage electronic components. Use grounded wrist straps and mats.

The tools necessary for this procedure are supplied with the emulation migration kit.

- 1 Turn off power to the emulation probe.
- 2 Disconnect all cables from the emulation probe, including the power cord, LAN cable, serial cable, module/probe interconnect cable, and target cable.
- 3 Remove the cover from the emulation probe:
 - a Remove the 2 nuts and 2 screws from the front of the emulation probe.



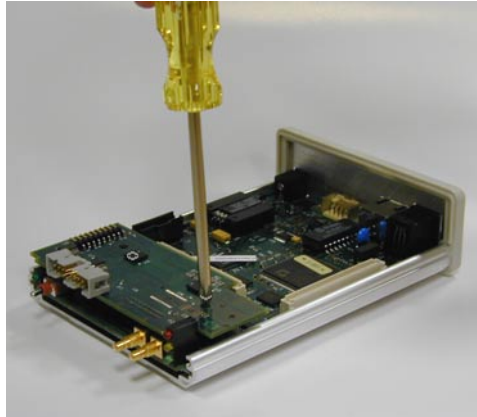
- b** Remove the front panel.



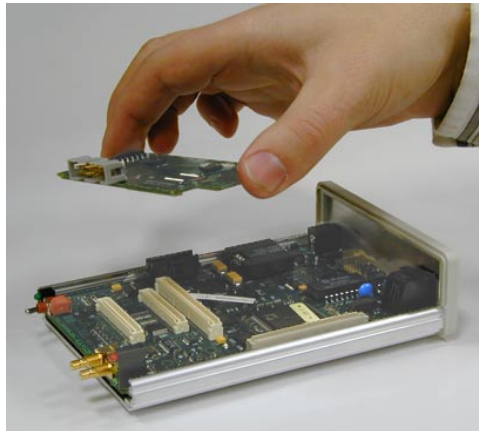
- c** Grasp the top cover with one hand. With the other hand, pull the plate on the bottom of the emulation probe, so that the top cover slides off.



- 4 Remove the 3 nylon screws from the target board adapter.



- 5 Carefully lift the target board adapter from the main circuit board.

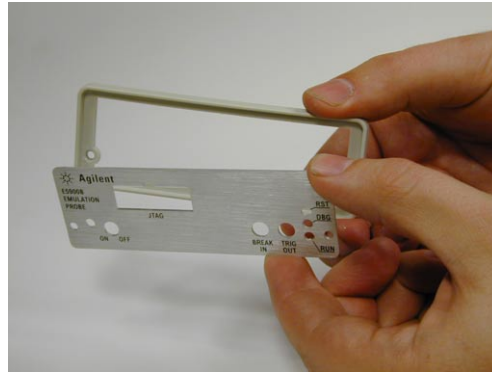


Do not turn on power to the emulation probe when no target board adapter is installed.

You cannot run performance verification tests or make any measurements without a target board adapter.

- 6 Install the new target board adapter on the main circuit board.
Align both connectors and press down firmly.
- 7 Replace the 3 nylon screws.

- 8** Reinstall the cover on the emulation probe:
 - a** Slide the top cover into place.
 - b** Assemble the new front panel.



- c** Attach the front panel using the 2 screws and 2 nuts.
- 9** Connect the LAN cable, module/probe interconnect cable (if you will be using the emulation probe with an emulation module), and the LAN cable to the emulation probe. Do not connect a target cable yet.
- 10** Turn on power to the emulation probe.
- 11** Update the emulation probe's firmware.

See Chapter 10, "Updating Firmware," beginning on page 135 for instructions on how to update firmware.
- 12** Run the performance verification test.

See page 178 for instructions on testing the emulation probe.
- 13** Connect the emulation probe to your target system.

See Chapter 6, "Connecting the Emulation Probe to Your Target System," beginning on page 59 for instructions on how to make this connection.

Troubleshooting the Emulation Probe

Chapter 12: Troubleshooting the Emulation Probe

If you have problems with the emulation probe, your first task is to determine the source of the problem. Problems may originate in any of the following places:

- The connection between the emulation probe and your debugger
- The emulation module or emulation probe itself
- The connection between the emulation probe and the target system
- The target system

You can use several means to determine the source of the problem:

- The troubleshooting guide beginning on the next page
- The status lights on the emulation probe
- The emulation probe performance verification (PV) tests
- The emulation probe's built-in commands

This chapter is presented in the following sections:

- Troubleshooting Guide
- Status Lights
- Using the Emulation Probe Command Line Interface
- Problems with the Target System
- Problems with the LAN Interface
- Problems with the Serial Interface
- Problems with the Emulation Module
- Problems with the Emulation Probe
(Running the Performance Verification tests)
- Returning Parts for Service
- Contacting Agilent Technologies

Troubleshooting Guide

If you have trouble using the emulation probe, the following steps may help you identify the problem:

Step 1: Telnet to the emulation probe

Use telnet to connect to the emulation probe across the LAN. (For instructions on how to do this, see “Verifying LAN Communications” on page 51.

The emulation probe must be reachable via LAN before you can use it.

If you cannot connect to the emulation probe

If you cannot ping or telnet to the emulation probe (“Verifying LAN Communications” on page 51):

- See “Problems with the LAN Interface” on page 171.
 - If you need to change the LAN parameters of the emulation probe, see Chapter 3, “Connecting the Emulation Probe to a Site LAN,” on page 40.
-

Step 2: Check the prompt

Once you have connected to the emulation probe, press the Enter key a few times and look at the prompt which is displayed.

If a telnet connection to the emulation probe displays the prompt "->"

The "->" prompt indicates that the firmware loaded into the emulation probe is not compatible with the "target board adapter" which is located inside the emulation probe.

Chapter 12: Troubleshooting the Emulation Probe

Troubleshooting Guide

Try one of the following until you get a different prompt:

- Cycle power on the emulation probe. (Turn off your target power first.)
- Check that the proper firmware is installed for the target board adapter or the type of emulation probe shown on the front panel of the emulation probe.

The proper firmware is installed at the factory but it could accidentally be changed. A "ver" command will display the firmware which is currently loaded. Refer to "Updating Firmware" on page 135 if the firmware is incorrect.

- Run the performance verification tests. Refer to "To run the emulation probe performance verification (PV) tests" on page 177.

Connection to the wrong target or connection to the target with the pins connected backward could potentially damage the emulation probe. Use the performance verification tests to validate that the emulation probe itself is working correctly.

If a telnet connection to the emulation probe displays the prompt "?>"

The "?>" prompt indicates that the emulation probe is having trouble talking to the target and it doesn't know what state the target is in.

- Validate that the emulation probe is connect to a powered up target.

Refer to Chapter 6, "Connecting the Emulation Probe to Your Target System," beginning on page 65.

- Try initializing the emulation probe with the "init -p" command.

Some emulation probes need to read the Processor Version Register of the target processor as the emulation probe is initialized.

- Check the emulation probe configuration settings.

Enter the **cf** command to display the configuration settings. Note that some emulation probes must set the processor type with the "procs" command.

- Try defaulting the configuration with the "cf default" command.
- Decrease the JTAG communication speed. Some targets need slower speeds to properly communicate.

Use the **cf speed** command.

- Check that the proper firmware is installed for this processor.

Some PowerPC chips require different firmware to be installed for different mask revs or other slight differences of the processor. For example, the PowerPC 603ev processor requires that the E3479 firmware is installed and the Motorola PowerPC 603ei requires that the E3477i firmware is installed.

Step 3: Try some simple commands to control the target

The command line interface can be used to issue some simple commands to the emulation probe. Issue a few commands to determine whether the emulation probe can control the target.

- Instructions for using the command line interface are given on page 112.
- Some examples of commands to issue are given on page 163.
- A list of the emulation probe's command line prompts is given on page 158.

If the emulation probe has problems controlling the target

The emulation probe might be having problems controlling the target if you see messages such as:

```
"Cannot break"  
"Processor is checkstopped"  
"Bad status code (0xff) received from the processor"
```

Or the prompt changes to "?>"

Problems controlling the target can be caused by a variety of conditions. Typically the problem is in the configuration of the emulation probe or the configuration of the target.

Try the following to better control your target:

- Decrease the JTAG communication speed. Some targets need slower speeds to properly communicate.

If you are using a telnet connection or a debugger command file, use the **cf**

speed command.

- Check the emulation probe's configuration settings.

If you are using a telnet connection, enter the **cf** command to display all of the configuration settings.

- Check that the emulation probe is not restricted to real-time runs.

If you are using a telnet connection or a debugger command file, use the **cf rrt=no** command.

Restrict to real time will not allow you to access memory or registers while the target is running. By setting this option to no, you will be able to access the memory and registers while the target is running.

- Check that the target processor is configured.

Some target systems require configuration registers on the processor to be initialized before the emulation probe can properly communicate with the target.

For example, the MPC860 requires memory chip selects to be defined before the target memory can be accessed. Other processors may need their memory controllers initialized.

To initialize the target processor, either run your target from reset (if you have a BOOT ROM) or define a series of emulation probe commands to initialize the target.

Also refer to “Using the Emulation Probe Command Line Interface” on page 112 for additional information about testing a target.

Step 4: Check the emulation module

If you are using an E5901B emulation module, select the emulation module icon and start the Emulation Control Interface.

If you have problems using the emulation probe as an emulation module in a 16700-series logic analysis system

To use the emulation probe as an emulation module in a 16700-series logic

analysis system you must have installed an E5901B emulation module and you must connect the emulation probe to the emulation module using the module/probe interconnect cable. In addition, the emulation probe must be connected to the logic analysis system using a LAN.

- Check that the emulation probe and the logic analysis system are on the LAN.

If you are using a site LAN you should be able to ping both the logic analysis system and the emulation probe.

If you are using a point-to-point LAN connection you must use a special crossover LAN cable, such as the one supplied with the emulation module.

The telnet window of the logic analysis system should be able to communicate with the emulation probe. This window can be found by selecting the **System Admin** icon in the main system window.

- Check that the emulation probe is connected to the emulation module with the module/probe interconnect cable.

If this cable is connected, you should be able to display the firmware version from the **Update Firmware** window.

- Check that you have the proper processor support package installed.

You can check this by selecting the **System Admin** icon in the main system window, then looking at the list of software packages installed.

- Test the emulation module. See page 176.
- Test the emulation probe. See page 177.
- Try using the Setup Assistant to configure your measurement setup.

Step 5: Check your debugger connection

If you are using a debugger, try connecting to the emulation probe.

If you have problems using the emulation probe with a debugger

Most problems are associated with not having the emulation probe and target

Chapter 12: Troubleshooting the Emulation Probe

Troubleshooting Guide

properly configured or initialized.

Some debuggers have an initialization file that needs to be properly defined before a debugger can connect to the emulation probe.

- Make sure the PC or workstation where the debugger is running can ping the emulation probe. (See “Verifying LAN Communications” on page 51.)
- Initialize the emulation probe and target so that the debugger can connect. Refer to your debugger manual for proper initialization.
- Refer to your debugger manual for proper operation.
- Ensure that you have set “Restriction to Real Time Runs” configuration item correctly. See page 78.

Status Lights

Emulation Probe Target Status Lights

The emulation probe uses status lights to communicate various modes and error conditions.

The following table gives more information about the meaning of the power and target status lights.

○ = LED is off

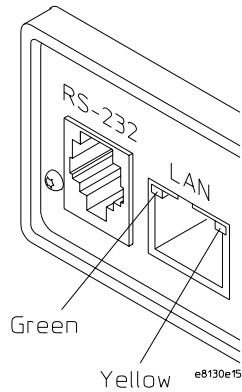
● = LED is on

Power/Target Status Lights

Pwr/Target LEDs	Meaning
○ RST ○ DBG ○ RUN	No target system power, or emulation probe is not connected to the target system
● RST ○ DBG ○ RUN	Target system is in a reset state
○ RST ● DBG ○ RUN	The target processor is in Debug Mode
○ RST ○ DBG ● RUN	The target processor is executing user code
○ RST ● DBG ● RUN	Only boot firmware is good (other firmware has been corrupted)
● RST ● DBG ● RUN	The emulation probe can no longer control the target. Reset the target, then initialize the emulation probe.

Status Lights

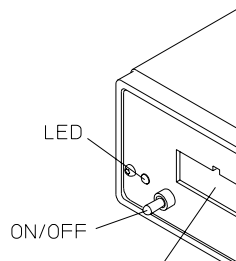
Emulation Probe LAN Status Lights



The yellow LED, on the right side of the connector, indicates LAN activity (receive or transmit).

The green LED, on the left side of the connector, is lit when the LAN interface is operating in 100Base-Tx mode.

Emulation Probe Power On Light



The green LED, to the left of the power switch, is lit when the emulation probe is connected to a power source and the power switch is on.

To list the emulation probe commands

To list the emulation probe command line mode commands enter:

? *

To get help on an individual command enter

? <command name>

Examples

? cf	Help on configuration questions
? cf speed	Help on configuration speed question

To use the built-in commands

Here are a few commonly used built-in commands:

Useful built-in commands

b	Break—go into the background monitor state
cf	Configuration—read or write configuration options
help	Help—display online help for built-in commands
init	Initialize— init -c re-initializes everything in the emulation probe except for the LAN software and configuration settings
lan	configure LAN address
m	Memory—read or write memory
reg	Register—read or write a register
mtest	Memory test—test target memory system
r	Run—start running user code
rep	Repeat—repeat a command or group of commands
rst	Reset—reset the target processor
s	Step—do a low-level single step
ver	Version—display the product number and firmware version of the emulation probe

Status Lights

Use **help *command_name*** to see the command syntax. For example, enter **help m** to get help on the memory command.

The prompt indicates the status of the emulation probe:

Emulation probe prompts

U	Running user program
M	Running in background monitor
p	No target power
R	Emulation reset
r	Target reset
c	Checkstop
?	Unknown state

Examples of built-in commands

The following examples are specific to PowerPC 6XX and 7XX processors. You will need to modify these examples if you are using a PowerPC 4XX target system.

Examples

To set register GPR0, and then view GPR0 to verify that it was set, enter:

```
R>rst -m
M>reg GPR0=ffff
M>reg GPR0
   reg GPR0=0000ffff
```

To break execution and then step a single instruction, enter:

```
M>b
M>s
   PC=xxxxxxxx
M>
```

To determine what firmware version is installed in the emulation probe, enter:

```
M>ver
```

Reset, break and run commands

```

rst      To reset the target
b        To break(stop) the target into debug mode
         (Background)
r        To run the target
r 100    To run the target from an address
r rst    To run the target from reset

```

Register commands

```

reg      Read all of the registers
reg PC   Read the program counter
reg PC GPR0 GPR1  Read multiple registers
reg PC=200  To Set the PC to 0x200

```

All register and memory values are entered as hexadecimal values and should not be entered with the leading "0x". Use values like "200", NOT "0x200".

Memory commands

```

m 0..ff      Display memory from 0 through ff
m -d1 0..ff=0,1,2,3  Write 0,1,2,3 repetitively
                 through the memory 0 to ff

```

Memory test commands

```

mtest bp -a1 0..ff=55      Basic pattern test
                             byte access
mtest bp -a4 0..ff=55555555  Basic pattern test
                             4-byte access
? mtest                    Additional test
                             information

```

Status Lights**To write a NOP loop into memory****NOTE:**

This example is specific to the PowerPC processor family. Please adapt this example for the processor type you are using.

b	To stop target if not already stopped
reg MSR=40	Set machine state
reg HID0=c00	Disable caches
m -d4 2000=60000000,4bffffffc	To write NOP loop into memory
reg PC=2000	To Set the PC

To step the program

s	Step one instruction
PC = 00002004	Shows the new location of the PC
s 10	Step ten instructions
? s	Additional information on stepping
? ss	Additional information on source stepping

To run the simple NOP program

r 2000	Run from address 2000
b	To stop the program
reg PC	To see the location of the PC register
r	To continue running the program

To set a software breakpoint (Memory trap replacement breakpoints)

bc -e swbp	Enable Software Breakpoints
bp -p 2004	To set a Software Breakpoint at address 2004
bp	To review the breakpoints that are set
r	To run the program and hit the software breakpoint !ASYNC_STAT 603! Software breakpoint: 00002004
bp -r *	To remove all software breakpoints

To set a hardware breakpoint (On processor breakpoint registers)

(Use this type of breakpoint when debugging ROM)

```
bc -d swbp      Disable software breakpoints
bc -e hwbp      Enable hardware breakpoints
bc -h -p 2004   To set a hardware breakpoint at
                address 2004
r              To run the program and hit the hardware
                breakpoint !ASYNC_STAT 601! Hardware
                breakpoint: 00002004
bp -h -r *      To remove all hardware breakpoints
? bp           To see additional bp capabilities
                (Hardware Breakpoints can be set on
                memory transactions also)
```

To use command line editing

```
<cntrl>-r      To recall last command(s) backward
<cntrl>-b      To recall last command(s) forward
? cl          To show you how to do it
cl -e         To enable command line editing
<ESC>        To enter command line editing mode
```

To build scripts

To build scripts, get the script utility from our web site

<http://www.cos.agilent.com/probe>.

Download the script utility. This is a unsupported utility but it will work for most scripts that you may want to build. It is unsupported in that if you find a defect with it we may choose not to fix the defect. The source code of the utility is also available. The emulload utility also has the ability to download ELF, COFF, IEEE695 and S-record files.

To flash memory

This is best left to a debugger interface.

You may also want to use the Emulation Control Interface in the logic analysis system to flash target ROM.

In addition we provide some information at our Web site on how to build scripts to flash parts. Go to **<http://www.cos.agilent.com/probe>** and choose [Flashing Target ROM](#).

To display the emulation probe firmware version

```
ver
```

See Also

Use the **help** command for more information on these and other commands. Note that some of commands listed in the help screens are generic commands for Agilent emulation probes and may not be available for your product.

If you are writing your own debugger, contact Agilent Technologies for more information.

Problems with the Target System

What to check first

Verify that the cf options are correct for your target.

- 1 Try some basic built-in commands using the Command Line window from a logic analysis system or a telnet connection:

```
U>rst  
R>
```

This should reset the target and display an "R>" prompt.

```
R>b  
M>
```

This should stop the target and display an "M>" prompt.

```
M>reg GPR1  
    reg GPR1=00000000  
M>
```

This should read the value of the r1 register (the value will probably be different on your target system).

```
M>m 0..=abcd1234  
M>m 0..  
    00000000 abcd1234 abcd1234 abcd1234 abcd1234  
    00000010 abcd1234 abcd1234 abcd1234 abcd1234  
    00000020 abcd1234 abcd1234 abcd1234 abcd1234  
    00000030 abcd1234 abcd1234 abcd1234 abcd1234  
    00000040 abcd1234 abcd1234 abcd1234 abcd1234  
    00000050 abcd1234 abcd1234 abcd1234 abcd1234  
    00000060 abcd1234 abcd1234 abcd1234 abcd1234  
    00000070 abcd1234 abcd1234 abcd1234 abcd1234  
M>
```

This should display memory values starting at address 0.

```
M>s
```

This should execute one instruction at the current program counter.

If any of these commands don't work, there may be a problem with the design of your target system, a problem with the revision of the processor you are using, or a problem with the configuration of the emulation probe.

Problems with the Target System

- 2 Check that the emulation probe firmware matches your processor. To do this, enter:

```
M>ver
```

To check the debug port connector signals

- Check for the following logic levels on the target debug port.

Levels with the emulation probe not connected

Header Pin	Signal Name	Level
3	TDI	Low
4	$\overline{\text{TRST}}$	High/Low (depends on pullup or pulldown).
6	+POWER	V_{DD}
7	TCK	High
9	TMS	High
11	$\overline{\text{SRESET}}$	High
13	$\overline{\text{HRESET}}$	High
15	$\overline{\text{CHECKSTOP}}$	High
16	GND	Low

Levels with the emulation probe connected

Header Pin	Signal Name	I/O
1	TDO	Toggle with "es" command
3	TDI	Toggle with "es" command
4	$\overline{\text{TRST}}$	High, pulse low with "rst" command
6	+POWER	V_{DD}
7	TCK	10+ MHz clock (default)
9	TMS	Low, pulse with "es" command
11	$\overline{\text{SRESET}}$	High, pulse low with "rst" command
13	$\overline{\text{HRESET}}$	High, pulse low with "rst" command
15	$\overline{\text{CHECKSTOP}}$	High
16	GND	Low

To interpret the initial prompt

The initial prompt can be used to diagnose several common problems. To get the most information from the prompt, follow this procedure:

- 1 Connect the emulation probe to your target system.
- 2 Set the default configuration settings. Enter:

```
M>cf default
```

You can enter this command at any prompt. The emulation probe will respond with the same information as printed by the "ver" command.

If the response is "!ERROR 905! Driver firmware is incompatible with ID of attached device"

Make sure the target interface module is connected to the cable of the emulation probe. Then try the "cf default" command again.

If the initial prompt is "p>"

Check pin 6 on header, 3.3V (V_{DD}).

If the initial prompt is "M>"

The processor entered debug mode without the help of the emulation probe. Is another debugger connected?

If the initial prompt is "c>"

Processor is checkstopped. Something caused a machine exception before the emulation probe connected or $\overline{\text{CHECKSTOP}}$ is being pulled or held low.

If the initial prompt is "?>" with "ERROR 171!"

A bad status code (0xXX) was received from the processor. Valid status is 0x01 or 0x05. Any other status indicates a bad scan of the instruction register. Check TCK, TDO, TDI, TMS, and $\overline{\text{TRST}}$ signals. Check the firmware revision. See "If there are random problems" on page 180 for more information on TCK errors.

If the initial prompt is "U>"

The emulation probe is scanning the instruction register correctly. Now you can do some more tests:

- 3 Enter the reset command:

```
U>rst
U>
```

The "U>" prompt is a good response that indicates $\overline{\text{SRESET}}$ and $\overline{\text{HRESET}}$ are working. Continue with "If the prompt after rst is U>".

If the prompt after rst is "?>" with "ERROR 171!"

A bad status code (0xXX) was received from the processor. Valid status is 0x01. Any other status indicates bad scan of IR or failure of the reset signals. Verify TCK, TDO, TDI, TMS, and $\overline{\text{TRST}}$ are all changing state on an $\overline{\text{HRESET}}$.

If the rst command fails

Set "cf reset=rom" (no external bus cycles used in this mode). Then enter the "rst" command again:

```
*>cf reset=rom
*>rst
M>
```

You can enter these commands at any prompt, shown here as "*>".

- If the prompt is "M>" with no error messages, all scans worked. We have control as long as we don't try to run code. Continue with "If you can get to the "M>" prompt.
- If an error message is displayed, verify that $\overline{\text{HRESET}}$ and $\overline{\text{SRESET}}$ are being driven.
- If the prompt is "c>", there was bad scanning of the data scan chain. Check

processor mask revision.

- If the prompt is "U>", the processor failed to stop soft or hard. Check reset lines, mask revision, processor type and firmware version.

If the prompt after rst is "U>"

The $\overline{\text{HRESET}}$ and $\overline{\text{SRESET}}$ lines are working. Continue with more tests:

- 4 Enter the break command:

```
U>b  
M>
```

If the prompt after b is "M>" with error messages

If you see: "!ERROR 145! Unable to soft stop - freezing the processor clocks" the processor is hard stopped. Check the mask revision, processor type, and firmware version. If all of these look good, the target may not be terminating cycles (pending external bus cycles). Successive run ("r") and step ("s") commands will fail. The processor may have fetched an invalid instruction.

Check the value of the PC (IAR):

```
M>reg PC  
reg PC=xxxxxxxx  
M>
```

If the value is fff00100, the processor had a problem accessing the boot ROM and crashed during boot.

Processor and/or board level reset is required to recover from "freezing processor clocks" -- register and memory commands should still work.

If the prompt after b is "M>" with no error messages

Everything is still working correctly. Continue with more tests:

If you can get to the "M>" prompt

- 5 At the "M>" prompt, check register and memory access:

```
M>reg GPR0  
reg GPR0=xxxxxxxx  
M>reg GPR0=12345678
```

Chapter 12: Troubleshooting the Emulation Probe

Problems with the Target System

```
M>reg GPR0
   reg GPR0=12345678
M>
```

- 6 If the returned value is equal to the written value, the emulation probe is able to read and write registers correctly.

Now enter:

```
M>m -d4 -a4 0=11111111,22222222,33333333,44444444
M>m -d4 -a4 0..
00000000  11111111 22222222 33333333 44444444
00000010  00000000 00000000 00000000 00000000
00000020  00000000 00000000 00000000 00000000
00000030  00000000 00000000 00000000 00000000
00000040  00000000 00000000 00000000 00000000
00000050  00000000 00000000 00000000 00000000
00000060  00000000 00000000 00000000 00000000
00000070  00000000 00000000 00000000 00000000
```

M>

- Returned value is equal to the written value implies that memory is working.
- Returned value is not equal to the written value implies that memory control may not be initialized. Try to initialize by:

```
M>cf reset=runrom;rst;w 5
   #waiting for 5 seconds...
U>b
M>
```

- a Repeat above memory test.

- 7 At the "M>" prompt, check the processor's revision level:

The target must support burst cache fill from where PC is pointing.

Set the PC to a location in RAM. For example:

```
M>reg PC=100
M>
```

Now enter:

```
M>reg PVR
   reg PVR=xxxxxxxx
M>
```

The returned value is in the form VVVVRrRr where VVVV is the processor's design architecture family, and RRrr is mask revision level.

For example reg PVR=00080202 means 740/750 Mask Revision 2.2. See www.cos.agilent.com/probe for a list of Processors Supported by the

E5902B and their related PVR values.

If you see memory-related problems

The following examples are specific to PowerPC 6XX and 7XX processors. You will need to modify these examples if you are using a PowerPC 4XX target system.

1 Set caches and translation off:

```
M>reg HID0=0
M>reg MSR=0
M>
```

If these commands fail, just try again.

2 Now enter:

```
M>m -d4 -a4 0=11111111,22222222,33333333,44444444
M>m -d4 -a4 0..
00000000 11111111 02222222 33333333 44444444
00000010 00000000 00000000 00000000 00000000
00000020 00000000 00000000 00000000 00000000
00000030 00000000 00000000 00000000 00000000
00000040 00000000 00000000 00000000 00000000
00000050 00000000 00000000 00000000 00000000
00000060 00000000 00000000 00000000 00000000
00000070 00000000 00000000 00000000 00000000
```

M>

- If you do not see correct values written in memory, try increasing memory delay (see pages 91, 92, 93, 94).
- If the read value is not equal to the written value, the memory controller may not be set up correctly.
- If the read value is equal to the written value, but you still suspect memory problems, the emulation probe firmware might not be working with cache.

3 Enter:

```
M>cf reset=rom
M>rst
M>m -d4 -a4 0..
```

- Read value not equal to the written value implies that reset is tied to memory controller. Check HRESET and SRESET for correct connections.

Chapter 12: Troubleshooting the Emulation Probe
Problems with the Target System

- 4 If you have memory problems running Windows NT, you may have this problem:
- System normally runs in little endian mode
 - "rst" returns processor to big endian. Memory controller on target still little endian, so memory access doesn't work.
- 5 Hand load a short program:

```
M>m -d4 -a4 100=38210001,60000000,60000000,4bffffff4
M>reg GPR1=0
M>
```

This means: Add 1, GPR1, NOP, NOP, JMP .-4

Set the PC to this program:

```
M>reg PC=100
M>
```

Step, and then check the register:

```
M>s
  PC=00000104
M>reg GPR1
  reg GPR1=00000001
M>
```

This should return "reg GPR1=00000001" .

Step some more and verify that GPR1 increments after every four steps:

```
M>s 4
  PC=00000104
M>reg GPR1
  reg GPR1=00000002
M>
```

Problems with the LAN Interface

If you cannot verify LAN communication

If you cannot verify connection using the procedure in "To verify LAN communication", or if commands are not accepted by the emulation probe:

- ❑ Make sure that you have connected the emulation probe to the proper power source and that the power light is lit.
- ❑ Make sure that you wait for the power-on self test to complete before connecting.
- ❑ Check that the Emulation Control Interface or debugger was configured with the correct LAN address. If the emulation probe is on a different subnet than the host computer, check that the gateway address is correct.
- ❑ Make sure that the emulation probe's IP address is set up correctly. To do this, connect the emulation probe to a terminal or terminal emulator and enter the **lan** command. (See "To configure LAN parameters using a serial connection" on page 42.)
- ❑ Make sure that the gateway address is set up correctly. The default gateway address of 0.0.0.0 does not allow the emulation probe to communicate with computers on other subnets.
- ❑ If you have just changed the IP address of the emulation probe, leave the emulation probe powered on and connected to the LAN for a few minutes, then try again. Some hubs, routers, and hosts maintain tables of IP addresses and link-level addresses. It may take a while for these tables to be updated.
- ❑ Make sure that the proper LAN cable is connected.
 - Use a Category 5 cable if your connection is running at 100 Mbps (100BASE-TX).
 - For a point-to-point connection, use a crossover cable.
 - For a LAN connection, use a regular LAN cable, not a crossover cable (the cable supplied with the emulation module, part number 5061-7342, is a crossover cable).

Problems with the LAN Interface

- ❑ Watch the LAN LED's to see whether the emulation probe is seeing LAN activity. The LED's are described on page 156. Refer to your LAN documentation for information on testing connectivity.
- ❑ It's also possible for there to be a problem with the emulation probe firmware while the LAN interface is still up and running. In this case, you must reboot the emulation probe by turning the emulation probe power switch off then on again.

If you have LAN connection problems

- ❑ Verify the IP address and gateway mask of the emulation probe. To do this, connect the emulation probe to a terminal or terminal emulator and enter the **lan** command (see See “To configure LAN parameters using a serial connection” on page 42.).

If it takes a long time to connect to the network

- ❑ Check the subnet masks on the other LAN devices connected to your network. All of the devices should be configured to use the same subnet mask.

Subnet mask error messages do not indicate a major problem. You can continue using the emulation probe.

If there are many subnet masks in use on the local subnet, the logic analysis system may take a very long time to connect to the network after it is turned on.

If you have problems setting the LAN parameters using a logic analysis system

- ❑ If the E5900B emulation probe is not connected to an E5901B emulation module, then make sure the emulation probe is on the same subnet as the logic analysis system during initial setup; otherwise,

probe LAN address setup will fail. After initial setup, you can modify the emulation probe's LAN parameters using the Emulation Control Interface before moving the probe to a different subnet.

- ❑ Another thing that will cause emulation probe LAN address setup to fail is a BOOTP daemon, running elsewhere on your network, that is configured to respond to the link-level address of the emulation probe.

Problems with the Serial Interface

If you cannot verify RS-232 communication

If the emulation probe prompt does not appear in the terminal emulator window:

- Make sure that you have connected the emulation probe to the proper power source and that the power switch is on.
 - Make sure that you have properly configured the data communications parameters on the host computer.
 - Verify that you are using the correct cable. Use the cable and adapter which are supplied with the emulation probe.
-

If you have RS-232 connection problems with the MS Windows HyperTerminal program

- Use the "HyperTerminal" program (usually found in the Accessories windows program group) and set up the "Communications..." settings as follows:
 - Baud Rate: 9600
 - Data Bits: 8
 - Parity: None
 - Stop Bits: 1
 - Flow Control: None

When you are connected, hit the Enter key. You should get a prompt back.

- If you still don't get a prompt, make sure the serial cable is connected to the correct port on your PC.
- Make sure you are using the serial cable which was supplied with the emulation probe.

With certain RS-232 cards, connecting to an RS-232 port where the emulation

probe is turned off (or is not connected) will hang the PC. The only way to get control back is to reboot the PC. Therefore, we recommend that you always turn on the emulation probe before attempting to connect via RS-232.

Problems with the Emulation Module

Occasionally you may suspect a hardware problem with the emulation module. The procedure in this section describes how to test the emulation module hardware, and if a problem is found, how to repair or replace the broken component.

This procedure tests the hardware within the logic analysis system—the emulation module and its connection to the logic analysis system. To test the emulation probe, see page 177.

To test the emulation module

- 1** End any Emulation Control Interface or debugger sessions.
- 2** Disconnect the emulation probe from the target system.
- 3** In the system window, select the **System Admin** icon.
- 4** Select the **Admin** tab.
- 5** Select **Self-Test...**
- 6** Read the Question dialog and select **Yes** if you wish to run the self tests.
- 7** Select the **Master Frame** tab.
- 8** Select the **E5901B Emulation Module**.
- 9** Select **Test All**.
- 10** When you are finished running self tests, select **Quit**. Then restart your session from the Session Manager window.

Problems with the Emulation Probe

To run the emulation probe performance verification (PV) tests

In addition to the power-up tests, there are several additional performance verification (PV) tests available.

These tests can be performed through a 16700-series logic analysis system or via a serial or telnet connection. You will need an SMB (f) to SMB (f) cable such as Agilent part number 16532-61601.

Before running probe performance verification:

- Leave the emulation probe connected to the LAN and to the power supply or module/probe interconnect cable.
- Leave the target board adapter installed inside the emulation probe.
- End any Emulation Control Interface or debugger sessions.
- Disconnect the target cable from the target system. (Power off the emulation probe while you do this.)
- Connect an SMB cable from the "Break In" connector to the "Trigger Out" connector on the emulation probe. (If you aren't concerned about these signals, you may omit this step and ignore any related test failures.)

To run the performance verification tests using the logic analysis system

- 1 End any Emulation Control Interface or debugger sessions.
- 2 Turn off the emulation probe and disconnect the emulation probe from your target system, then turn the emulation probe on again.

CAUTION:

Disconnect the emulation probe from your target system before running the tests. Running the Target Board Adapter Feedback Test with the target system connected can damage components on the target system.

Problems with the Emulation Probe

3 In the system window, select the emulation probe icon then select **Performance Verification**.

4 Select **Start PV**.

The results will appear on screen.

To run complete performance verification tests using a serial or telnet connection

1 Connect an SMB cable between BREAK IN and TRIGGER OUT.

2 Disconnect the probe/module interconnect cable.

3 Turn off the emulation probe and disconnect the emulation probe from your target system, then turn the emulation probe on again.

CAUTION:

Disconnect the emulation probe from your target system before running the tests. Running the Target Board Adapter Feedback Test with the target system connected can damage components on the target system.

4 Connect the emulation probe to your PC or workstation using a serial or LAN connection, as described in “Connecting the Emulation Probe to a Site LAN” on page 40.

5 Use a **telnet** or a terminal emulator to connect to the emulation probe.

6 Enter the **pv 1** command.

See Also

Options available for the **pv** command are explained in the help screen displayed by typing **help pv** or **? pv** at the prompt.

Examples

Here are some examples of ways to use the **pv** command.

To execute all of the tests one time:

```
pv 1
```

To execute test 2 with maximum debug output repeatedly until a Ctrl-c is entered:

```
pv -t2 -v9 0
```

The results on a good system, with the trigger out and break in SMBs connected, should be similar to the following.

```
U>pv 1
```

```
Testing: HPE8130A Series Emulation System
Test 1: Powerup PV Results                               Passed!
Test 2: Emulation Module Port Feedback Test              Passed!
Test 3: Run Control FPGA Test                            Passed!
Test 4: Run Control Clock Test                           Passed!
Test 5: Break In and Trigger Out SMB Feedback Test       Passed!
Test 6: Target Board Adapter Feedback Test (FACTORY ONLY) Not Executed
FAILED Number of tests: 1                               Number of failures: 0
```

```
Copyright (c) Agilent Technologies, Inc. 1999
All Rights Reserved.  Reproduction, adaptation, or translation without
prior
written permission is prohibited, except as allowed under copyright laws.
```

```
HPE8130A Series Emulation System
Version:  A.01.00 Dec 30 1999
Location:  Generics
```

```
HP E3454A PowerPC 700 JTAG Emulator
Version:  A.05.00 Oct 26 1999
```

```
R>
```

The product numbers and version information will be different for your emulation probe. The product numbers displayed are for the various pieces of firmware and will be different from the product number you used to order the product.

If a performance verification test fails

There are some things you can do if a failure is found on one of the tests. Details of the failure can be obtained through using a -v value (“verbose level”) of 9.

If there are random problems

Occasionally development systems for the PowerPC using the Agilent emulation probe can experience erratic behavior, or random target connection and operation errors or failures. Two major causes for these problems are:

- Crosstalk between the JTAG signals on the cable between the emulation probe and the target.
- Noise from external fields being coupled into the target connection cable. Major external fields that can affect this connection include the startup and shutdown of nearby fluorescent lamps and CRTs. Universal motors in appliances such as vacuum cleaners and floor buffers can generate significant field impulses.

The following are two potential solutions to the problems mentioned above.

1. Reduce the TCK clock rate. A reduction from 32 MHz to 10 MHz (cf speed = 10 M) can cause up to a 50% reduction in the crosstalk. The most significant side effect is a reduction in download rate. If the increase in download times cannot be tolerated the TCK rate can be increased for the duration of the download time, then reduced to gain increased reliability while debugging.
2. Provide an additional ground path between the emulation probe and the target system. The SMB connectors on the front of the emulation probe provide a solid ground connection.

If the particular failure you see is not listed below, contact Agilent Technologies for assistance.

Test 1: Powerup PV Results

Failure of this test indicates a hardware problem with the emulation probe. Contact Agilent Technologies for assistance.

Test 2: Emulation Module Port Feedback Test

Failure of this test indicates a hardware problem with the emulation probe. Contact Agilent Technologies for assistance.

This test exercises the hardware which drives the connection to the emulation

module. It does not test the module/probe interconnect cable.

The test is not executed if the emulation probe is connected to an emulation module.

Test 3: Run Control FPGA Test

Test 4: Run Control Clock Test

Failure of these tests indicates a hardware problem with the emulation probe. Contact Agilent Technologies for assistance.

If the emulation probe fails one of these tests, it may have been damaged by electrostatic discharge through the target cable. To prevent such damage in the future, follow standard ESD preventive practices.

Test 5: Break In and Trigger Out SMB Feedback Test

Before returning to Agilent Technologies, check to ensure that you have connected a good cable between the two SMB connectors.

Test 6: Target Board Adapter Feedback Test

Failure of this test indicates a hardware problem with the emulation probe. Contact Agilent Technologies for assistance.

This test exercises the I/O circuitry. If the test passes, but the emulation probe seems to have trouble communicating with the target system, the problem is probably with the target system.

If this test was not executed, it means that the target board adapter you are using does not support the test.

Returning Parts for Service

The repair strategy for this emulation solution is board replacement.

Exchange assemblies are available when a repairable assembly is returned to Agilent Technologies. These assemblies have been set up on the “Exchange Assembly” program. This lets you exchange a faulty assembly with one that has been repaired, calibrated, and performance verified by the factory. The cost is significantly less than that of a new assembly.

To return a part to Agilent Technologies

- 1** Follow the procedures in this chapter to make sure that the problem is caused by a hardware failure, not by configuration or cabling problems.
- 2** In the U.S., call 1-800-403-0801. Outside the U.S., call your nearest Agilent sales office. Ask them for the address of the nearest service center.

To locate a sales or service office near you, go to **<http://www.tm.agilent.com>** and select [Contact Us](#).

- 3** Package the part and send it to the Agilent service center.

Keep any parts which you know are working. For example, if only a cable is broken, keep the emulation probe.

- 4** When the part has been replaced, it will be sent back to you.

The unit returned to you will have the same serial number as the unit you sent to Agilent.

In some parts of the world, on-site repair service is available. Ask an Agilent sales or service representative for details.

To obtain replacement parts

The following table lists some parts that may be replaced if they are damaged or lost. The part numbers are subject to change. Contact your nearest Agilent Technologies sales office for further information.

Exchange assemblies

Part number	Description
E3452-69501	Rebuilt assembly (PowerPC 4xx/6xx)
E3454-69501	Rebuilt assembly (PowerPC 7xx)

Replacement assemblies

Part number	Description
0950-3043	Power supply for emulation probe (marked F1044B)
E3494-61604	Ribbon cable - PowerPC 4xx, 60x, 7xx (Connects the emulation probe to the target system.)
16700-61608	Expansion cable for emulation module (Connects the emulation module to the logic analysis system internally.)
E8130-68702	Serial cable and adapter (Connects the emulation probe to a PC for configuration.)
5061-7342	LAN cross-over cable (For point-to-point LAN connection from the emulation probe to the logic analysis system.)
E8130-61601	14-pin module/probe interconnect cable (Connects the emulation module to the emulation probe.)

If you need to obtain help

If, after following the troubleshooting steps and looking through the other sections in this chapter, the emulation probe still is not working:

- 1** Write down the target processor version, the emulation probe firmware version, and the type of emulation probe (E5900A or E5900B).
- 2** Call your nearest Agilent Technologies sales or service office.

To locate a sales or service office near you, go to <http://www.tm.agilent.com> and select [Contact Us](#).

To clean the instrument

If the instrument requires cleaning:

- 1** Remove power from the instrument.
- 2** Clean the instrument using a soft cloth that has been moistened in a mixture of mild detergent and water.
- 3** Make sure that the instrument is completely dry before reconnecting it to a power source.

Specifications and Characteristics

The following operating characteristics are not specifications, but are typical operating characteristics for the Agilent Technologies E5900B emulation probe and E5901B emulation module.

Operating characteristics

The following operating characteristics are not specifications, but are typical operating characteristics.

Input/Output Electrical Characteristics

Trigger Out SMB Port

With a 50 Ω load, a logic high is ≥ 2.0 V, and a low is ≤ 0.4 V. The output function is selectable (see “To configure the Trigger Out SMB port (All processors)” on page 98).

Break In SMB Port

Edge-triggered TTL level input, 20 pF, with 4.6 k Ω to ground in parallel. Maximum input: +5 V to -5 V when the emulation probe is powered OFF; +10 V to -5 V when the emulation probe is powered ON. Input function is selectable (see “To configure the Break In SMB port (All processors)” on page 97).

Communication Ports

Serial Port

RJ12 connector (DB9-to-RJ12 adapter and serial cable included).
RS-232 DCE to 9600 baud, 8-bit, no parity, one stop bit.

IEEE 802.3 Type 10/100Base-TX LAN Port

RJ-45 connector, is compatible with both 10 Mbps (10Base-T) and 100 Mbps (100Base-TX) twisted-pair ethernet LANs.

Power Supply

Input. 100-240 V, 1.0 A, 50/60 Hz, IEC 320 connector.

Output. 12 V, 3.3 A

CAT I (Mains isolated).

E5900B Emulation Probe Characteristics

Microprocessor Compatibility	See page 4 for a list of compatible processors.
-------------------------------------	---

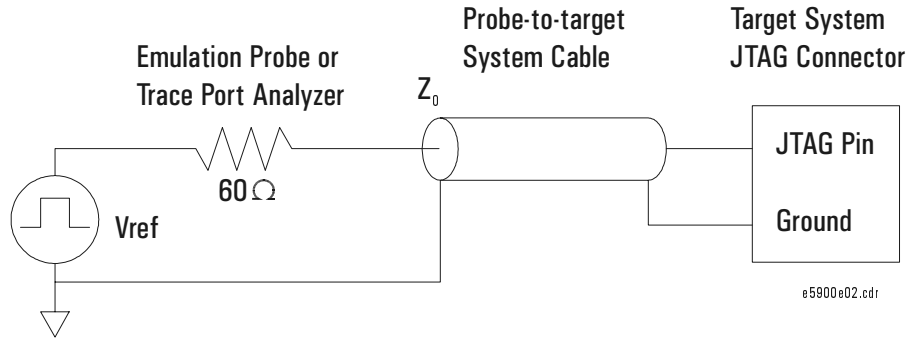
Input Characteristics							
Signal	Symbol	1/3 Vref		1/2 Vref		2/3 Vref	
		Min	Max	Min	Max	Min	Max
TDO	Vih	0.5 Vref	5.1 V	0.65 Vref	5.1 V	0.8 Vref	5.1 V
	Vil	-0.1 V	0.2 Vref	-0.1 V	0.35 V	-0.1 V	0.5 Vref
	Ib (Bias)	± 15 uA					
	Rin	4.7 kΩ pullup to Vref					
	Cin	TDO = 75 pF					

Input Characteristics			
Signal	Symbol	Min	Max
Vref	Vin	1.65 V	5.5 V
	Rin	25 kΩ pulldown to ground	
SRESET, HRESET	Rin (inactive)	4.7 kΩ pullup to Vref	
	Rin (active)	12 Ω pulldown to ground	
	Cout		200 pF
	Vin		5.5 V

Output Characteristics Z _o		
Signal	Symbol	Condition
TDI, TCK, TMS, TRST ¹	Voh/Ioh	66 Ω ± 15 Ω to Vref
	Vol/Iol	66 Ω ± 15 Ω to 0.2 V
¹ These signals must not be actively driven by the target system when the debug port is being used.		

Output Model

Model of output drive to TDI, TCK, TMS, and TRST.



Note: $Z_0 = 66\ \Omega$ in the diagram above.

Environmental Characteristics

Temperature	Operating: +5°C to +40°C (+41°F to +104°F)	Nonoperating: -40°C to +70°C (-40°F to +158 °F)
Altitude	Operating or nonoperating: 4600 m (15 000 ft)	
Relative Humidity	15% to 95% @ 40°C for 24 hrs.	
Pollution Degree	Pollution Degree 2: Normally only dry non-conductive pollution occurs. Occasionally a temporary conductivity caused by condensation may occur.	

For indoor use only.

See Also

See the Declarations of Conformity at the end of this book for EMC, safety, and supplemental information.

Emulation module environmental characteristics

The Agilent E5901B emulation module meets the environmental characteristics of the logic analysis system in which it is installed.

For indoor use only.

Analysis Probe A probing solution connected to the target microprocessor. It provides an interface between the signals of the target microprocessor and the inputs of the logic analyzer. Formerly called a “preprocessor.”

Background Debug Monitor Also called Debug Mode, In Background, or In Monitor. The normal processor execution is suspended and the processor waits for commands from the debug port. The debug port commands include the ability to read and write memory, read and write registers, set breakpoints and start the processor running (exit the Background Debug Monitor).

Debug Mode See *Background Debug Monitor*.

Debug Port A hardware interface designed into a microprocessor that allows developers to control microprocessor execution, set breakpoints, and access microprocessor registers or target system memory using a tool like the emulation probe.

Elastomeric Probe Adapter A connector that is fastened on top of a target microprocessor using a retainer and knurled nut. The conductive elastomer on the bottom

of the probe adapter makes contact with pins of the target microprocessor and delivers their signals to connection points on top of the probe adapter.

Emulation Migration Kit The hardware and software required to use an emulation probe with a new processor family.

Emulation Module An emulation module is installed within the mainframe of a logic analysis system. An E5901A emulation module is used with a *target interface module* (TIM) or an analysis probe. An E5901B emulation module is used with an E5900B *emulation probe* and does not use a TIM.

Emulation Probe An emulation probe is a standalone instrument connected via LAN to the mainframe of a logic analyzer or to a host computer. It provides run control within an emulation and analysis test setup. Formerly called a “processor probe” or “software probe.”

Emulator An emulation module or an emulation probe.

Extender A part whose only function is to provide connections from one location to another. One or more extenders might be stacked to

raise a probe above a target microprocessor to avoid mechanical contact with other components installed close to the target microprocessor. Sometimes called a "connector board."

Flexible Adapter Two connection devices coupled with a flexible cable. Used for connecting probing hardware on the target microprocessor to the analysis probe.

Gateway Address An IP address entered in integer dot notation. The default gateway address is 0.0.0.0, which allows all connections on the local network or subnet. If connections are to be made across networks or subnets, this address must be set to the address of the gateway machine.

General-Purpose Flexible Adapter A cable assembly that connects the signals from an elastomeric probe adapter to an analysis probe. Normally, a male-to-male header or transition board makes the connections from the general-purpose flexible adapter to the analysis probe.

High-Density Adapter Cable A cable assembly that delivers signals from an analysis probe hardware interface to the logic analyzer pod

cables. A high-density adapter cable has a single *MICTOR connector* that is installed into the analysis probe, and two cables that are connected to corresponding odd and even logic analyzer pod cables.

High-Density Termination Adapter Cable Same as a High-Density Adapter Cable, except it has a termination in the *MICTOR connector*.

In Background, In Monitor See *Background Debug Monitor*.

Inverse Assembler Software that displays captured bus activity as assembly language mnemonics. In addition, inverse assemblers may show execution history or decode control busses.

IP address Also called Internet Protocol address or Internet address. A 32-bit network address. It is usually represented as decimal numbers separated by periods; for example, 192.35.12.6.

Jumper Moveable direct electrical connection between two points.

JTAG (OnCE) port See *debug port*.

Label Labels are used to group and

Glossary

identify logic analyzer channels. A label consists of a name and an associated bit or group of bits.

Link-Level Address The unique address of the LAN interface. This value is set at the factory and cannot be changed. The link-level address of a particular piece of equipment is often printed on a label above the LAN connector. An example of a link-level address in hexadecimal: 0800090012AB. Also known as an LLA, Ethernet address, hardware address, physical address, or MAC address.

Mainframe Logic Analyzer A logic analyzer that resides on one or more board assemblies installed in a 16500, 1660-series, or 16600/700-series mainframe.

Male-to-male Header A board assembly that makes point-to-point connections between the female pins of a flexible adapter or transition board and the female pins of an analysis probe.

MICTOR Connector A high-density matched impedance connector manufactured by AMP Corporation. *High-density adapter cables* can be used to connect the logic analyzer to MICTOR connectors on the target system.

Monitor, In See *Background Debug Monitor*.

Pod A collection of logic analyzer channels associated with a single cable and connector.

Preprocessor See *Analysis Probe*.

Preprocessor Interface See *Analysis Probe*.

Probe Adapter See *Elastomeric Probe Adapter*.

Processor Probe See *Emulation Probe*.

Run Control Probe See *Emulation Probe* and *Emulation Module*.

Setup Assistant Wizard software program which guides a user through the process of connecting and configuring a logic analyzer to make measurements on a specific microprocessor. The setup assistant icon is located in the main system window.

Shunt Connector. See *Jumper*.

Solution A set of tools for debugging your target system. A solution includes probing, inverse assembly, the B4620B Source Correlation Tool

Glossary

Set, and an emulation module.

Stand-Alone Logic Analyzer A standalone logic analyzer has a predefined set of hardware components which provide a specific set of capabilities. A standalone logic analyzer differs from a mainframe logic analyzer in that it does not offer card slots for installation of additional capabilities, and its specifications are not modified based upon selection from a set of optional hardware boards that may be installed within its frame.

State Analysis A mode of logic analysis in which the logic analyzer is configured to capture data synchronously with a clock signal in the target system.

Subnet Mask A subnet mask blocks out part of an IP address so the networking software can determine whether the destination host is on a local or remote network. It is usually represented as decimal numbers separated by periods; for example, 255.255.255.0.

Symbol Symbols represent patterns and ranges of values found on labeled sets of bits. Two kinds of symbols are available:

1) Object file symbols — Symbols from your source code, and symbols

generated by your compiler. Object file symbols may represent global variables, functions, labels, and source line numbers.

2) User-defined symbols — Symbols you create.

Target Board Adapter A daughter board inside the E5900B emulation probe which customizes the emulation probe for a particular microprocessor family. The target board adapter provides an interface to the ribbon cable which connects to the debug port on the target system.

Target Control Port An 8-bit, TTL port on a logic analysis system that you can use to send signals to your target system. It does not function like a pattern generator or emulation module, but more like a remote control for the target's switches.

Target Interface Module A small circuit board which connects the 50-pin cable from an E5901A emulation module or E5900A emulation probe to signals from the debug port on a target system. Not used with the E5900B emulation probe.

TIM See *Target Interface Module*.

Timing Analysis A mode of logic analysis in which the logic analyzer is configured to capture data at a rate

determined by an internal sample rate clock, asynchronous to signals in the target system.

Transition Board A board assembly that obtains signals connected to one side and rearranges them in a different order for delivery at the other side of the board.

Trigger Specification A set of conditions that must be true before the instrument triggers. See the printed or online documentation of your logic analyzer for details.

1/4-Flexible Adapter An adapter that obtains one-quarter of the signals from an elastomeric probe adapter (one side of a target microprocessor) and makes them available for probing.

Numerics

32-bit mode, 100

A

address pattern test, 126
address translation, 95
address, IP, 41
analysis probe
 definition, 191
assistant
 See setup assistant
automatic allocation, 46

B

background debug monitor, 191
basic pattern test, 123
BDM port
 See debug port
BKG light, 155
BNC
 break in, 97
 trigger out, 98
BOOTP request, 45, 46
Break In SMB, 97
Break In SMB port, 187
built-in commands, 163
 LAN configuration, 44

C

cable
 emulation probe, 67
 module/probe interconnect, 57
 point-to-point LAN, 39
 power, 26
 serial, 42
cable board, 24
 See target board adapter
cache disable, 102, 103
caches
 enabling and disabling, 102, 103

CD-ROM, installing software from,
 62
cf command, 72
cf proc, 74
cf rrt, 78
cleaning, 184
clocks
 TCK speed, 76
command line interface, 112
 logic analysis system, 113
commands, built-in, 158
communication ports, 187
configuration
 emulation module, 69
configuration files
 installing, 59
configuring the emulation probe,
 72
connection
 emulation module, 65
 host workstation, 37
 power, 26
 problems, LAN, 171
 problems, RS-232, 174
 sequence, 27
connector
 10BASE-T, 37
 debug port, 34
 JTAG, 30
 JTAG, designing, 34
 JTAG, levels, 164
connector board, 191
connector, serial, 187
contacting Agilent Technologies,
 184
crosstalk, 180

D

debug mode, 191
 QACK pull-down, 30

debug port, 191
 connecting to, 67
 definition, 191
debugger, 105
default settings, 74
delays, configuring, 91, 92, 93, 94
design considerations, 29
development port
 See debug port
DHCP, 45
dmwrop, configuring, 88
driver firmware error, 165
dynamic allocation, 46

E

E8130A product number, 179
effective addresses, 95
elastomeric probe adapter
 definition, 191
electrical characteristics, 188
EMC, 190
emulation migration
 definition, 191
 See also migration
emulation module
 connecting, 65, 67
 connecting to probe, 57
 definition, 191
 description of, 3
 firmware, 164
 installing, 53
emulation probe
 definition, 191
 problems, solving, 177
emulation solution, 28
 at a glance, 2
 definition, 193
 description of, 2
environmental characteristics, 190
equipment required
 emulation module, 22

equipment supplied
 emulation migration, 24
 emulation module, 22
ethernet address, 44
extender, 191

F

files
 loading vs. installing, 60
firmware
 updating, 135
 version, 137, 138
flexible adapter
 definition, 192
flowchart, setup, 19

G

gateway address, 44, 171
 definition, 192
general-purpose flexible adapter
 definition, 192

H

help, contacting Agilent, 184
HID0 bits, 103
high-density adapter cable
 definition, 192
high-density termination adapter
 definition, 192
host computer
 connecting to, 37
HyperTerminal (MS Windows
 program), 174

I

IEEE 802.3, 37
imwrop, configuring, 89
information sources, 28
init command, 165
input/output electrical
 characteristics, 187

installation, software, 59
interconnect cable
 See cable, module/probe
 interconnect
internet address, 41
inverse assembler
 definition, 192
IP address, 41, 44, 46, 171
 debugger connection, 108
 definition, 192

J

JTAG, 180
 acronym, 20
 designing connector, 34
 test clock, 76
JTAG port
 connections, 34
jumper, definition, 192

L

L2 cache disable, 102
labels
 definition, 192
LAN
 interface, 37
lan command, 44
LAN connection problems, 171
LAN parameters, 46
 debugger, 108
 setting with DHCP, 45
 setting with emulation module,
 48
 setting with serial connection, 44
 verifying, 45
 ways to set, 38
LAN port, 187
LEDs, 155
lights
 See status lights

link-level address, 46
 definition, 193
 displaying, 44
 location of, 45
loading configurations
 vs. installing, 59

M

mainframe logic analyzer
 definition, 193
male-to-male header
 definition, 193
manual allocation, 46
mask, subnet, 172
memory
 configuring delays, 91, 92, 93, 94
 configuring parity, 101
 configuring read, 87
 configuring write, 88, 89
 target, testing, 117
 testing, 169
memory test, 117
 address pattern, 126
 basic pattern, 123
 list of tests, 121
 oscilloscope read, 132
 oscilloscope write, 133
 procedure, 122
 rotate pattern, 128
 walking ones, 130
 walking zeroes, 131
MICTOR connector, definition, 193
migration
 installing, 141
 minimum equipment, 20
MMU, 95
model, output, 189
module/probe interconnect cable,
 57
monitor, background debug, 191
mrdop, configuring, 87

N

noise, reducing, 30

O

oscilloscope read test, 132
oscilloscope write test, 133
output model, 189

P

parity, configuring, 101
PC
 connecting to, 37
 performance verification tests,
 177, 178
 performance, improving, 77
 physical addresses, 95
 ping command, 51, 171
 pods, logic analyzer, 193
 point-to-point LAN connection, 49
 port number
 changing, 44
 debugger, 108
 default, 41
 power off procedure, 27
 power on procedure, 26
 POWER signal, 99
 power supply, 26, 187
 preprocessor
 See analysis probe
 preprocessor interface
 See analysis probe
 processor family
 changing, 142
 processor revision, 163
 processor support package, 62
 processor type, 74, 136
 procs command, 74, 75
 product numbers, 179
 program counter, 163
 prompts
 list of, 158
 troubleshooting, 165

pull down resistor, QACK, 30
PV
 See performance verification

Q

QACK pin, 30

R

real-time runs, 78
references, 28
register commands, 163
repair
 emulation module, 182
requirements, 20
RESET
 light, 155
reset
 troubleshooting, 166
reset behavior, 79, 81
reset operation, 79, 81
resistor, QACK, 30
restrict to real-time runs, 78
revision, processor, 163
rotate pattern test, 128
run control tool
 See emulation control interface

S

sequence, 27
serial connection, 42
 cable, 42
 DCE or DTE selection, 174
 number of connections, 174
 problems, 174
 verifying, 43
serial port, 187
service ports, 44
service, how to obtain, 182
setup
 See configuration

setup assistant, 140
 definition, 193
 networking disabled, 50
setup flowchart, 19
signals
 debug port, 34
 signals, expected levels, 164
 slow clock message, 149
SMB, 180
 Break In configuration, 97
software
 installing, 59
 list of installed, 63
solution, 28
 at a glance, 2
 definition, 193
 description of, 2
specifications
 characteristics, 185
speed
 improving, 77, 103
standalone configuration
 See point-to-point connection
stand-alone logic analyzer
 definition, 194
state analysis, 194
 definition, 194
static allocation, 45, 46
status lights, 155
subnet mask, 44, 171, 172
 definition, 194
switches
 LAN configuration, 44
symbols
 definition, 194

T

target board adapter, 24, 142
 definition, 194
target control port, 194
target interface module (TIM)
 definition, 194

- target system
 - connecting to, 65
 - memory tests, 117
 - TCK
 - clock rate, 180
 - signal, 76
 - TCP, 44
 - telnet, 51, 52, 163, 171
 - establish connection, 112
 - temperature environmental
 - characteristic, 190
 - temperature specifications, 190
 - terminal interface, 52
 - LAN parameters, setting, 44
 - test clock, 76
 - testing
 - target memory, 117
 - procedure for, 122
 - tests, emulation module, 176
 - ThinLAN, 38
 - timers
 - freezing, 82
 - timing analysis, 194
 - definition, 194
 - trace length, 30
 - transition board
 - definition, 195
 - trigger
 - definition of specification, 195
 - limitations, 97
 - trigger out configuration, 98
 - Trigger Out SMB port, 187
 - troubleshooting, 149
- U**
- updating firmware, 136
 - USER light, 155
- V**
- versions, firmware
 - emulation module, 138
 - emulation probe, 137
 - voltage reference, configuring, 99
 - Vref signal, 99

W

- walking ones test, 130
- walking zeros test, 131
- web interface, 114
- web sites
 - Agilent logic analyzers, 28
- wizard
 - See setup assistant
- workstation
 - connecting to, 37



Agilent Technologies **DECLARATION OF CONFORMITY**

According to ISO/IEC Guide 22 and CEN/EN 45014

Manufacturer's Name: Agilent Technologies, Inc. / Digital Design PGU

Manufacturer's Address: 1900 Garden of the Gods Road
Colorado Springs, Colorado 80907 USA

Declares, that the product

Product Name: Emulation Probe

Model Number(s): Agilent Technologies E5900B, E5902B

Product Option(s): All options based on the above

is in conformity with:

EMC IEC 61326-1:1997+A1:1998 / EN 61326-1:1997+A1:1998
CISPR 11:1990 / EN 55011:1991—Group 1 Class A^[1]
IEC 61000-4-2:1995+A1:1998 / EN 61000-4-2:1995 (ESD 4kV CD, 8kV AD)
IEC 61000-4-3:1995 / EN 61000-4-3:1995 (3 V/m 80% AM)
IEC 61000-4-4:1995 / EN 61000-4-4:1995 (0.5kV line-line, 1kV line-earth)
IEC 61000-4-6:1996 / EN 61000-4-6:1996 (3V 80% AM, power line)
Australia/New Zealand: AS/NZS 2064.1

Safety IEC 1010-1: 1990+A1:1992+A2:1995 / EN 61010-1: 1994+A2:1995
Canada: CSA-C22.2 No. 1010.1:1992
USA: UL 3111-1:1994

Additional Information:

The product herewith complies with the requirements of the Low Voltage Directive 73/23/EEC and the EMC Directive 89/336/EEC (including 93/68/EEC) and carries the CE marking accordingly (European Union).

^[1]This product was tested in a typical configuration with Agilent Technologies test systems.

Date: 12/30/99

Ken Wyatt / Product Regulations Manager

For further information, please contact your local Agilent Technologies sales office, agent or distributor.

Product Regulations

EMC	IEC 61326-1:1997+A1:1998 / EN 61326-1:1997+A1:1998 CISPR 11:1990 / EN 55011:1991—Group 1 Class A IEC 61000-4-2:1995+A1:1998 / EN 61000-4-2:1995 (ESD 4kV CD, 8kV AD) IEC 61000-4-3:1995 / EN 61000-4-3:1995 (3 V/m 80% AM) IEC 61000-4-4:1995 / EN 61000-4-4:1995 (EFT 0.5kV line-line, 1kV line-earth) IEC 61000-4-6:1996 / EN 61000-4-6:1996 (3V 80% AM, power line) Australia/New Zealand: AS/NZS 2064.1	Performance Criteria D A A A
Safety	IEC 1010-1: 1990+A1:1992+A2:1995 / EN 61010-1: 1994+A2:1995 Canada: CSA-C22.2 No. 1010.1:1992 USA: UL 3111-1:1994 {optional}	

Additional Information:

The product herewith complies with the requirements of the Low Voltage Directive 73/23/EEC and the EMC Directive 89/336/EEC (including 93/68/EEC) and carries the CE marking accordingly (European Union).

Performance Criteria:

A Pass - Normal operation, no effect.

B Pass - Temporary degradation, self recoverable.

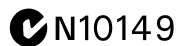
C Pass - Temporary degradation, operator intervention required.

D Fail - Not recoverable, component damage.

Note:

Use standard ESD preventive practices while handling and connecting the E5900B to its target to avoid component damage.

Sound N/A
Pressure
Level





Agilent Technologies

DECLARATION OF CONFORMITY

According to ISO/IEC Guide 22 and CEN/EN 45014

Manufacturer's Name: Agilent Technologies, Inc. / Digital Design PGU

Manufacturer's Address: 1900 Garden of the Gods Road
Colorado Springs, Colorado 80907 USA

Declares, that the product

Product Name: Emulation Module

Model Number(s): Agilent Technologies E5901B

Product Option(s): All options based on the above

is in conformity with:

EMC IEC 61326-1:1997+A1:1998 / EN 61326-1:1997+A1:1998
CISPR 11:1990 / EN 55011:1991—Group 1 Class A^[1]
IEC 61000-4-2:1995+A1:1998 / EN 61000-4-2:1995 (ESD 4kV CD, 8kV AD)
IEC 61000-4-3:1995 / EN 61000-4-3:1995 (3 V/m 80% AM)
IEC 61000-4-4:1995 / EN 61000-4-4:1995 (0.5kV line-line, 1kV line-earth)
IEC 61000-4-6:1996 / EN 61000-4-6:1996 (3V 80% AM, power line)
Australia/New Zealand: AS/NZS 2064.1

Safety IEC 1010-1: 1990+A1:1992+A2:1995 / EN 61010-1: 1994+A2:1995
Canada: CSA-C22.2 No. 1010.1:1992
USA: UL 3111-1:1994

Additional Information:

The product herewith complies with the requirements of the Low Voltage Directive 73/23/EEC and the EMC Directive 89/336/EEC (including 93/68/EEC) and carries the CE marking accordingly (European Union).

^[1]This product was tested in a typical configuration with Agilent Technologies test systems.

Date: 12/30/99

Ken Wyatt / Product Regulations Manager

For further information, please contact your local Agilent Technologies sales office, agent or distributor.

Product Regulations

EMC	IEC 61326-1:1997+A1:1998 / EN 61326-1:1997+A1:1998 CISPR 11:1990 / EN 55011:1991—Group 1 Class A IEC 61000-4-2:1995+A1:1998 / EN 61000-4-2:1995 (ESD 4kV CD, 8kV AD) IEC 61000-4-3:1995 / EN 61000-4-3:1995 (3 V/m 80% AM) IEC 61000-4-4:1995 / EN 61000-4-4:1995 (EFT 0.5kV line-line, 1kV line-earth) IEC 61000-4-6:1996 / EN 61000-4-6:1996 (3V 80% AM, power line) Australia/New Zealand: AS/NZS 2064.1	Performance Criteria A A A A
Safety	IEC 1010-1: 1990+A1:1992+A2:1995 / EN 61010-1: 1994+A2:1995 Canada: CSA C22.2 No. 1010.1:1992 USA: UL 3111-1:1994 {optional}	

Additional Information:

The product herewith complies with the requirements of the Low Voltage Directive 73/23/EEC and the EMC Directive 89/336/EEC (including 93/68/EEC) and carries the CE marking accordingly (European Union).

Performance Criteria:

A Pass - Normal operation, no effect.

B Pass - Temporary degradation, self recoverable.

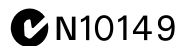
C Pass - Temporary degradation, operator intervention required.

D Fail - Not recoverable, component damage.

Note:

Use standard ESD preventive practices while handling and connecting the E5900B to its target to avoid component damage.

Sound N/A
Pressure
Level



© Copyright Agilent Technologies, Inc. 1994-2002 All Rights Reserved.

Reproduction, adaptation, or translation without prior written permission is prohibited, except as allowed under the copyright laws.

Restricted Rights Legend

Use, duplication, or disclosure by the U.S. Government is subject to restrictions set forth in subparagraph (C) (1) (ii) of the Rights in Technical Data and Computer Software Clause in DFARS 252.227-7013. Agilent Technologies 395 Page Mill Road Palo Alto, CA 94303-0870 U.S.A. Rights for non-DOD U.S. Government Departments and Agencies are set forth in FAR 52.227-19 (c) (1,2).

Document Warranty

The information contained in this document is subject to change without notice.

Agilent Technologies makes no warranty of any kind with regard to this material, including, but not limited to, the implied warranties of merchantability or fitness for a particular purpose.

Agilent Technologies shall not be liable for errors contained herein or for damages in connection with the furnishing, performance, or use of this material.

Safety

This apparatus has been designed and tested in accordance with IEC Publication 1010, Safety Requirements for Measuring Apparatus, and has been supplied in a safe condition. This is a Safety Class I instrument (provided with terminal for protective earthing). Before applying power, verify that the correct safety precautions are taken (see the following warnings). In addition, note the external markings on the instrument that are described under "Safety Symbols."

Warning

- Before turning on the instrument, you must connect the protective earth terminal of the instrument to the protective conductor of the (mains) power cord. The mains plug shall only be inserted in a socket outlet provided with a protective earth contact. You must not negate the protective action by using an extension cord (power cable) without a protective conductor (grounding). Grounding one conductor of a two-conductor outlet is not sufficient protection.
- Only fuses with the required rated current, voltage, and specified type (normal blow, time delay, etc.) should be used. Do not use repaired fuses or short-circuited fuseholders. To do so could cause a shock or fire hazard.

- Service instructions are for trained service personnel. To avoid dangerous electric shock, do not perform any service unless qualified to do so. Do not attempt internal service or adjustment unless another person, capable of rendering first aid and resuscitation, is present.

- If you energize this instrument by an auto transformer (for voltage reduction), make sure the common terminal is connected to the earth terminal of the power source.

- Whenever it is likely that the ground protection is impaired, you must make the instrument inoperative and secure it against any unintended operation.

- Do not operate the instrument in the presence of flammable gasses or fumes. Operation of any electrical instrument in such an environment constitutes a definite safety hazard.

- Do not install substitute parts or perform any unauthorized modification to the instrument.

- Capacitors inside the instrument may retain a charge even if the instrument is disconnected from its source of supply.

Safety Symbols



Instruction manual symbol: the product is marked with this symbol when it is necessary for you to refer to the instruction manual in order to protect against damage to the product.



Hazardous voltage symbol.



Earth terminal symbol: Used to indicate a circuit common connected to grounded chassis.

WARNING

The Warning sign denotes a hazard. It calls attention to a procedure, practice, or the like, which, if not correctly performed or adhered to, could result in personal injury. Do not proceed beyond a Warning sign until the indicated conditions are fully understood and met.

CAUTION

The Caution sign denotes a hazard. It calls attention to an operating procedure, practice, or the like, which, if not correctly performed or adhered to, could result in damage to or destruction of part or all of the product. Do not proceed beyond a Caution symbol until the indicated conditions are fully understood or met.

Product Warranty

This Agilent Technologies product has a warranty against defects in material and workmanship for a period of one year from date of shipment. During the warranty period, Agilent Technologies will, at its option, either repair or replace products that prove to be defective.

For warranty service or repair, this product must be returned to a service facility designated by Agilent Technologies.

For products returned to Agilent Technologies for warranty service, the Buyer shall prepay shipping charges to Agilent Technologies and Agilent Technologies shall pay shipping charges to return the product to the Buyer. However, the Buyer shall pay all shipping charges, duties, and taxes for products returned to Agilent Technologies from another country.

Agilent Technologies warrants that its software and firmware designated by Agilent Technologies for use with an instrument will execute its programming instructions when properly installed on that instrument. Agilent Technologies does not warrant that the operation of the instrument software, or firmware will be uninterrupted or error free.

Limitation of Warranty

The foregoing warranty shall not apply to defects resulting from improper or inadequate maintenance by the Buyer, Buyer-supplied software or interfacing, unauthorized modification or misuse, operation outside of the environmental specifications for the product, or improper site preparation or maintenance.

No other warranty is expressed or implied. Agilent Technologies specifically disclaims the implied warranties of merchantability or fitness for a particular purpose.

Exclusive Remedies

The remedies provided herein are the buyer's sole and exclusive remedies. Agilent Technologies shall not be liable for any direct, indirect, special, incidental, or consequential damages, whether based on contract, tort, or any other legal theory.

Assistance

Product maintenance agreements and other customer assistance agreements are available for Agilent Technologies products. For any assistance, contact your nearest Agilent Technologies Sales Office.

Certification

Agilent Technologies Inc. certifies that this product met its published specifications at the time of shipment from the factory. Agilent Technologies further certifies that its calibration measurements are traceable to the United States National Institute of Standards and Technology, to the extent allowed by the Institute's calibration facility, and to the calibration facilities of other International Standards Organization members.

About this edition

This is the *Agilent Technologies Emulation for the PowerPC 400/600/700 User's Guide*.

Publication number
E3454-97006, February 2002
Printed in USA.

Information in this manual previously appeared in:
E3454-97005, February 2001
E3454-97004, August 2000
E3454-97003, June 2000
E3452-97004, May 2000

Many product updates do not require manual changes, and manual corrections may be done without accompanying product changes. Therefore, do not expect a one-to-one correspondence between product updates and manual updates.

UNIX is a registered trademark of The Open Group.

Microsoft, Windows, MS Windows, and MS-DOS are U.S. registered trademarks of Microsoft Corporation.